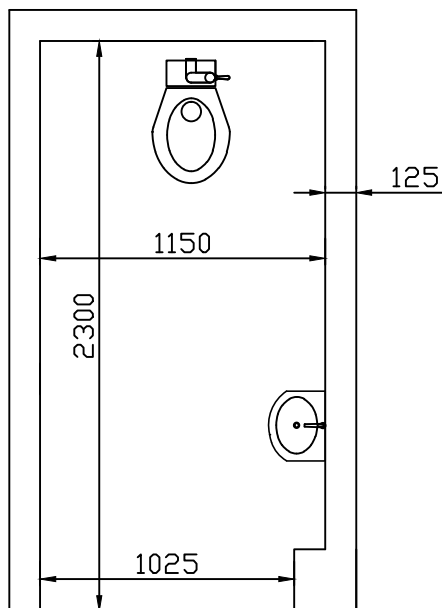



PROPOSED LAYOUT OF VISITORS' TOILET



PROPOSED LAYOUT OF DIVYANG TOILET

Note:-

- 1) All dimensions are in MM unless otherwise specified.
- 2) Only written dimensions are to be followed.

 Birla Industrial & Technological Museum (A UNIT OF NATIONAL COUNCIL OF SCIENCE MUSEUMS)			
PROJ.- Renovation of toilet blocks at SSC, Patna.			
DRG. NO. BITM/Civil/SSC/01	DATE 29/05/26	SCALE N.T.S.	TOLERANCE
TITLE:- Typ. Layout Details of Toilet blocks			NO OFF. 1 of 1
DRN. BY Supratim Roy	CKD. BY Subhasis Ghosh	APPRD. BY	