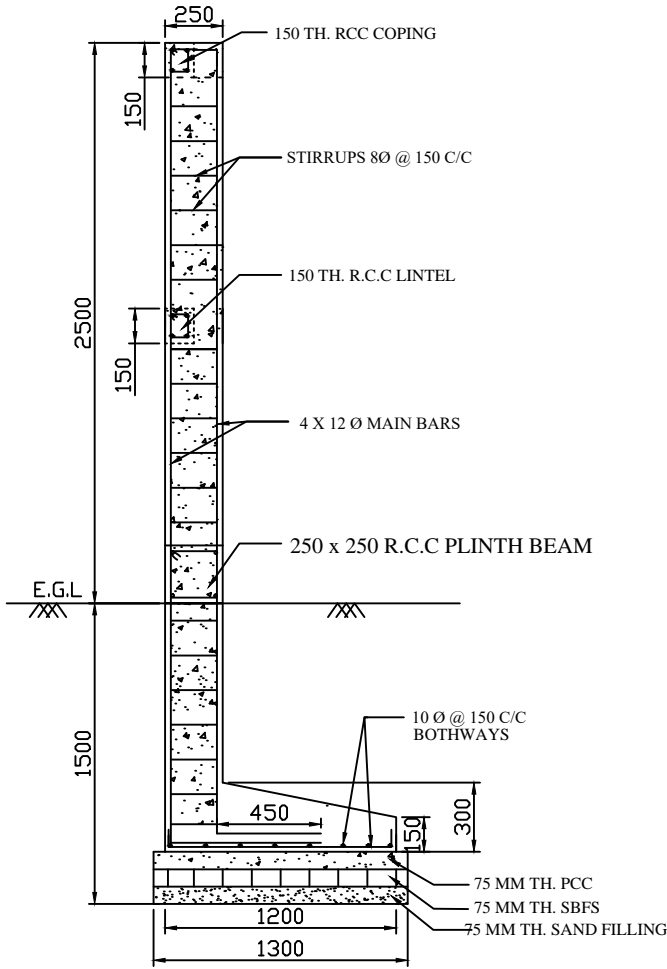
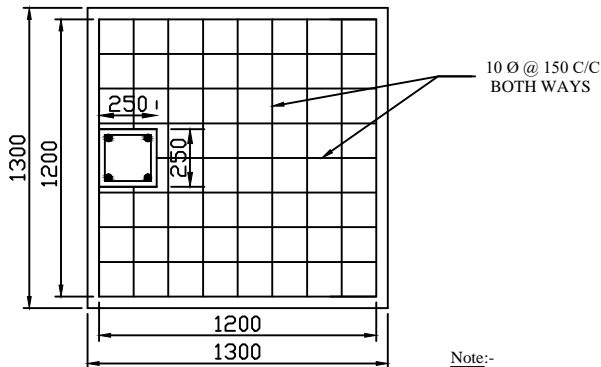


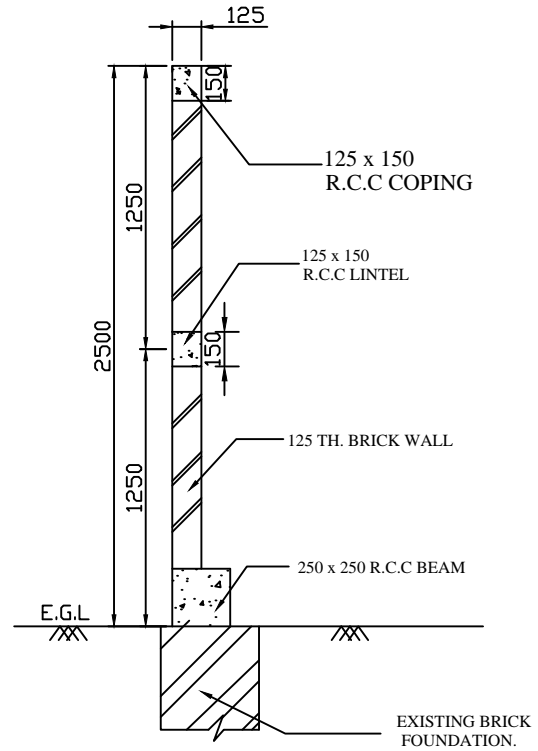
**PLAN AT PLINTH LEVEL**



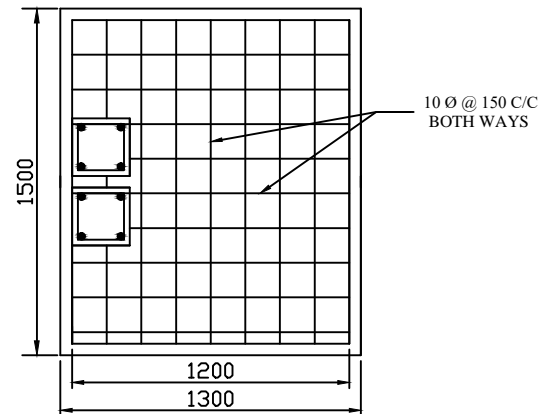
**SECTION - A-A**



**FOUNDATION PLAN (ISOLATED FOOTING)**




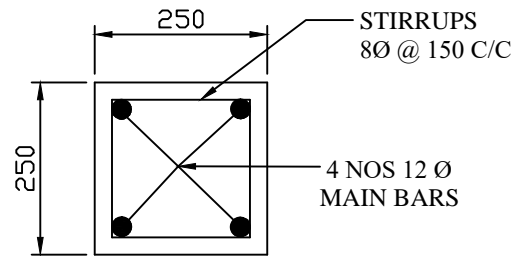
**SECTION - B-B**



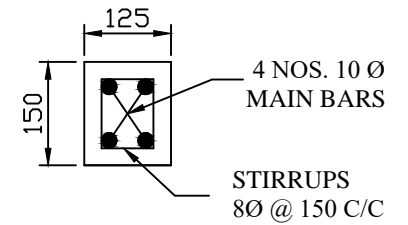
**FOUNDATION PLAN (COMBINED FOOTING)**  
(TO BE PROVIDED AFTER 15MTR. INTERVALS)

Note:-  
 1) All dimensions are in MM unless otherwise specified.  
 2) Only written dimensions are to be followed.  
 3) Original dimensions may vary as per actual site conditions.  
 4) Clear Covers: Foundation = 50 mm, Columns = 40mm, Beam = 25mm.

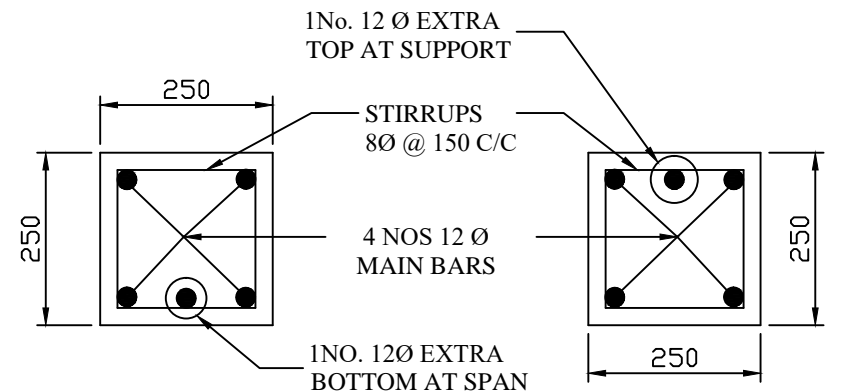
|                                                                                                                                                                                             |                           |                 |                   |
|---------------------------------------------------------------------------------------------------------------------------------------------------------------------------------------------|---------------------------|-----------------|-------------------|
|  <b>Birla Industrial &amp; Technological Museum</b><br>(A UNIT OF NATIONAL COUNCIL OF SCIENCE MUSEUMS) |                           |                 |                   |
| <b>PROJ.- Reconstruction of damaged boundary wall at NBSC, Siliguri.</b>                                                                                                                    |                           |                 |                   |
| DRG. NO.<br>BITM/Civil/NBSC/2026/01                                                                                                                                                         | DATE<br>23/06/26          | SCALE<br>N.T.S. | TOLERANCE         |
| TITLE:- Plan & Sectional Elevations                                                                                                                                                         |                           |                 | NO OFF.<br>1 of 1 |
| DRN. BY<br>Supratim Roy                                                                                                                                                                     | CKD. BY<br>Subhasis Ghosh | APPRD. BY       |                   |



**RCC COLUMN 250 x 250**



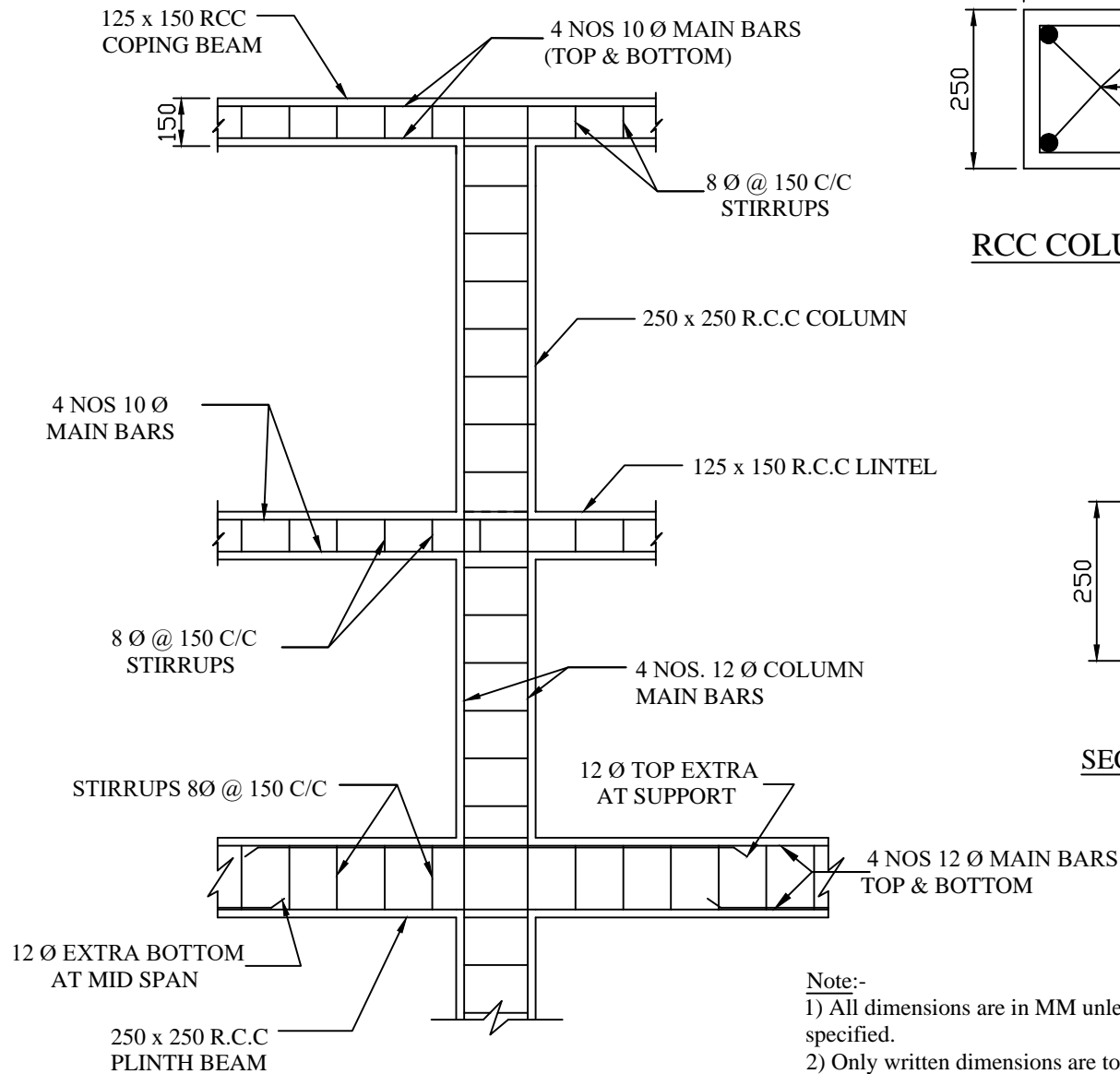
**RCC LINTEL & COPPING BEAM 125 x 150**



**SECTION AT MID SPAN**

**SECTION AT SUPPORT**


**PLINTH BEAM 250 x 250**



**LONGITUDINAL SECTION**

Note:-

- 1) All dimensions are in MM unless otherwise specified.
- 2) Only written dimensions are to be followed.
- 3) Original dimensions may vary as per actual site conditions.
- 4) Clear Covers: Foundation = 50 mm, Columns = 40mm, Beam = 25mm.

|                                                                                                                                                                                             |                           |                 |                   |
|---------------------------------------------------------------------------------------------------------------------------------------------------------------------------------------------|---------------------------|-----------------|-------------------|
|  <b>Birla Industrial &amp; Technological Museum</b><br>(A UNIT OF NATIONAL COUNCIL OF SCIENCE MUSEUMS) |                           |                 |                   |
| PROJ.- Reconstruction of damaged boundary wall at<br>NBSC, Siliguri.                                                                                                                        |                           |                 |                   |
| DRG. NO.<br>BITM/Civil/NBSC/2026/02                                                                                                                                                         | DATE<br>23/06/26          | SCALE<br>N.T.S. | TOLERANCE         |
| TITLE:- Cross Sections & Long Section                                                                                                                                                       |                           |                 | NO OFF.<br>1 of 1 |
| DRN. BY<br>Supratim Roy                                                                                                                                                                     | CKD. BY<br>Subhasis Ghosh | APPRD. BY       |                   |