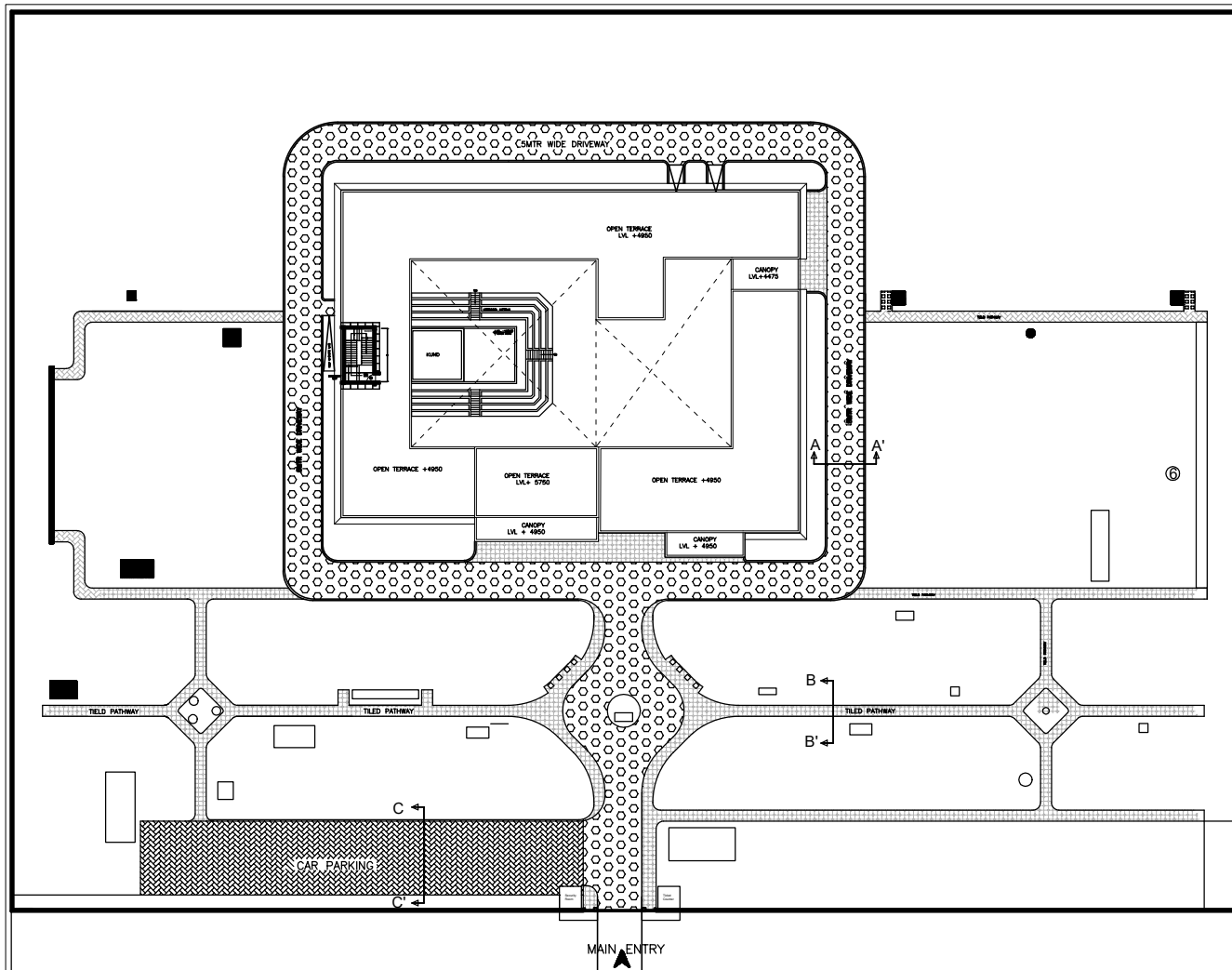


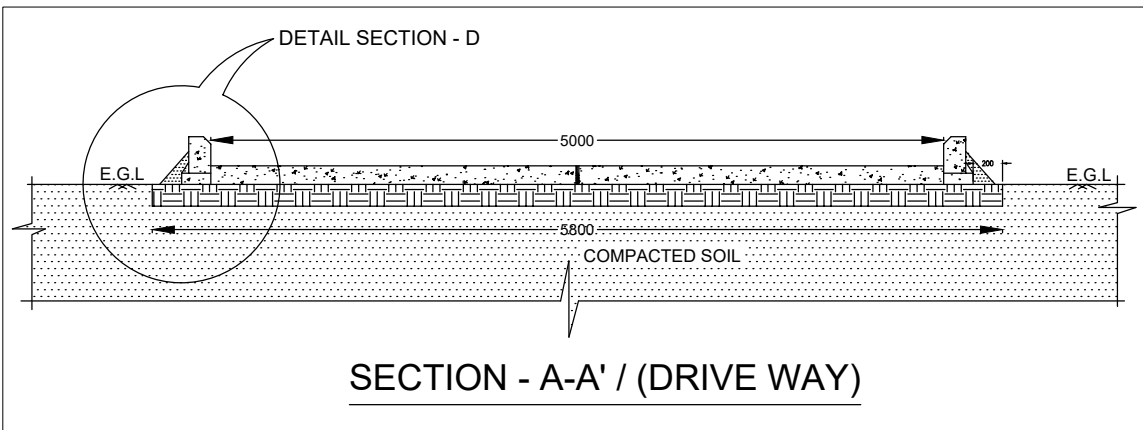
EXHIBITS	AREA
1. SPEAKING TUBE	30' X4'
2. ELLIPTICAL SPEAKING TUBE	10' X5'
3. TEMBOS	10' X5'
4. WHISPERING GARDEN	8' X4'
5. MUSICAL TUBES	10' X5'
6. ECHO TUBE	120' X5'
7. GIANT SAFETY PIN	6' X4'
8. SWING IS A PENDULUM	18' - 6"X10'
9. TURN FASTER	8' X8'
10. IMPOSSIBLE TRIANGLE	DIA 3'
11. HOLE IN PALM	4' X4'
12. LIFT YOUR SELF	6' X4'
13. ACTION & REACTION	8' X7'
14. TIC TAC TOE	8' X3'
15. PROJECTIVE GEOMETRY	32' X8'
16. VALUE OF PIE	4' X4'
17. THE EARTH	DIA 4'
18. THE SUN	DIA 4'
19. THE MOON	DIA 4'
20. EXISTING SCIENTIST BUST 8 SET	2' X2'
21. T. REX	30' X15'
22. FLORAL KALEIDOSCOPE	DIA 4'
23. PIN HOLE CAMERA	DIA 6'
24. TUG OF WAR	4' X4'
25. ISIS SPEAK	120' - 6'X6'
26. SYMPATHETIC SWING	16'X8'
27. GIANT GEM PAPER CLIP	15'X8'

N.B. - For Tender Purpose only.

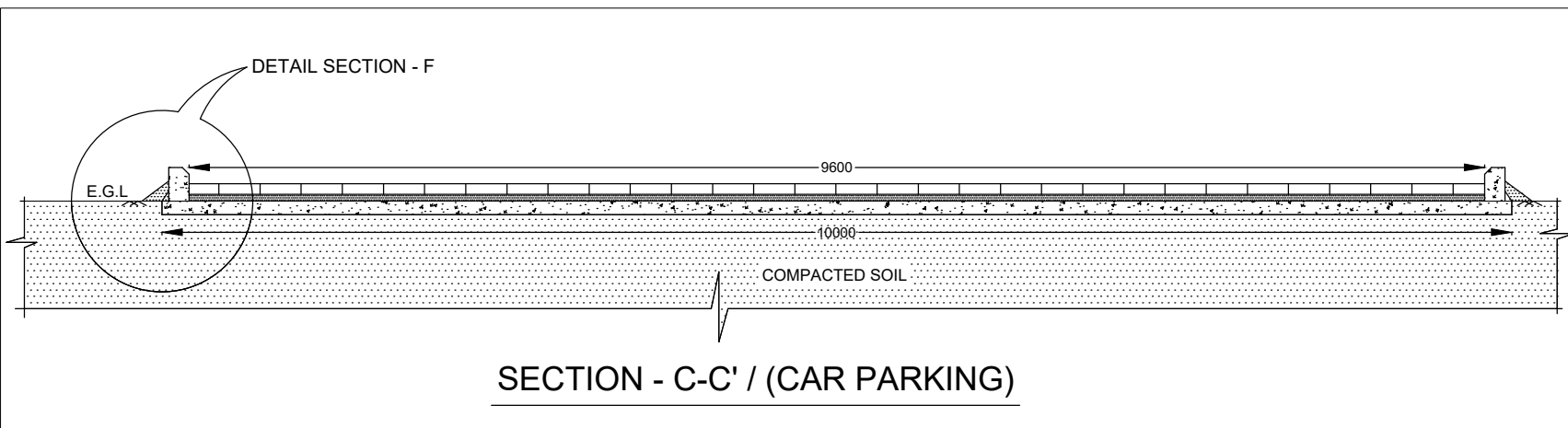
LEGENDS	AREA (M ²)	TOTAL RUNNING LENGTH (M)	TOTAL WIDTH (M)
PARKING	600	—	—
FIELD PATH WAY	814.5	543	1.5
DRIVE WAY	1781.2	—	—
LAWN	—	—	—



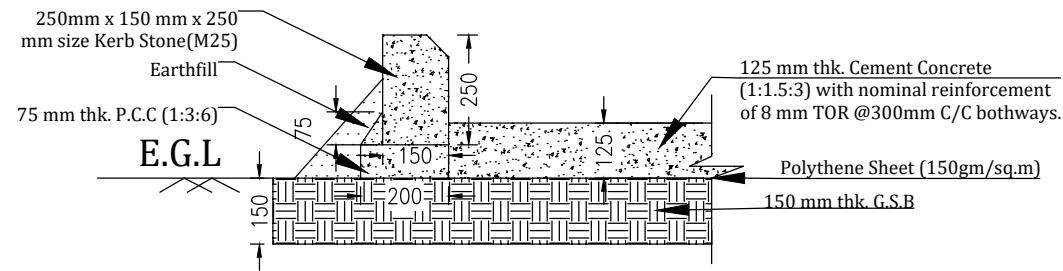
KEY PLAN - NTS



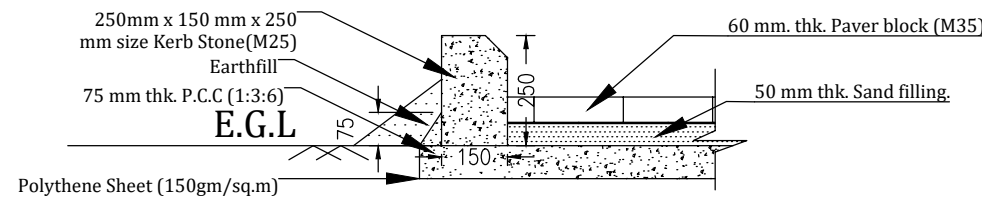
SECTION - A-A' / (DRIVE WAY)



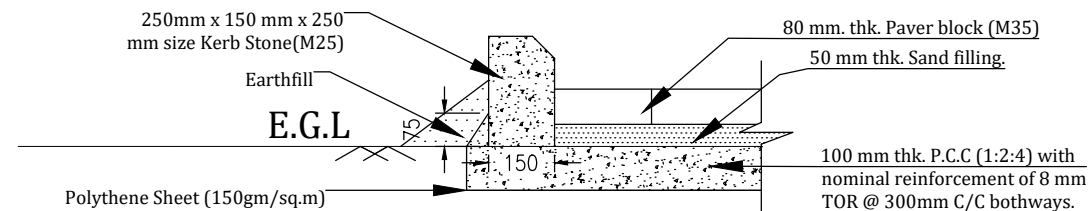
SECTION - C-C' / (CAR PARKING)



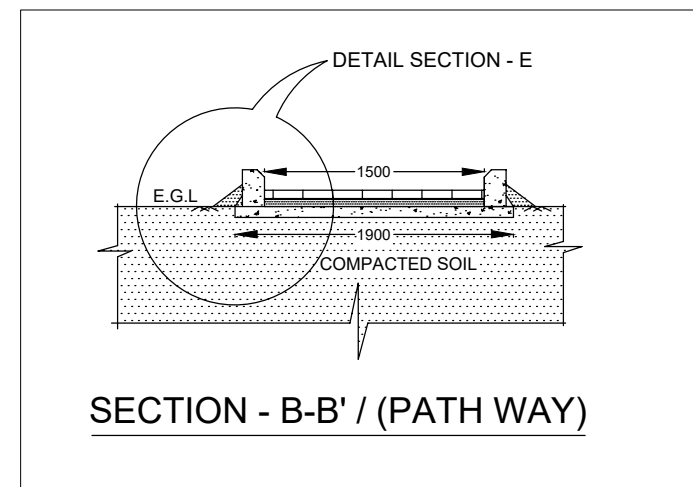
DETAIL SECTION - D / (DRIVE WAY)



DETAIL SECTION - E / (PATHWAY)



DETAIL SECTION - F / (CAR PARKING)



SECTION - B-B' / (PATH WAY)

PROJECT:
PROPOSED SCIENCE CENTRE
(CATEGORY - II)
AT JORBEER RESIDENTIAL SCHEME,
BLOCK-C, BIKANER, RAJASTHAN
PIN - 334001

CLIENT:
DEPARTMENT OF SCIENCE & TECHNOLOGY,
GOVT. OF RAJASTHAN
VIGYAN BHAWAN, SHASTRI NAGAR,
JAIPUR-302016, RAJASTHAN

- NOTES
- All dimensions are in mm
 - Discrepancies in dimensions or otherwise should be brought to the notice of consultant before starting the work.
 - This drawing supercedes earlier drawings.
 - This drawing has to be read in conjunction with BOQ, technical specifications & contract documents.
 - This drawing should be read only and not to be scaled
 - All civil works are as per I.S.456 and all reinforcement as per I.S. 1176
 - All R. C. C. work should be done as per specifications mentioned in the structural drawings.
 - All external walls are 250 thk. and all internal walls are 150 thk. unless otherwise specified.
 - this drawing should be read in conjunction with structure drawings, plumbing, HVAC & electrical drawings
 - Top of toilet cubicle partition walls is at height 2250 from plinth level.
 - All internal & external walls shall be of AAC block with band beam at lintel level, sill level, and door mullions from floor to lintel as per IS:2185 (PART 3) & relevant GFC drawings.

LEGEND	AREA (M ²)	TOTAL RUNNING LENGTH (M)	TOTAL WIDTH (M)
PARKING	600	-	-
TILED PATH WAY	814.5	543	1.5
DRIVE WAY	1781.2	-	-
LANDSCAPED LAWN			

For tender purpose only.

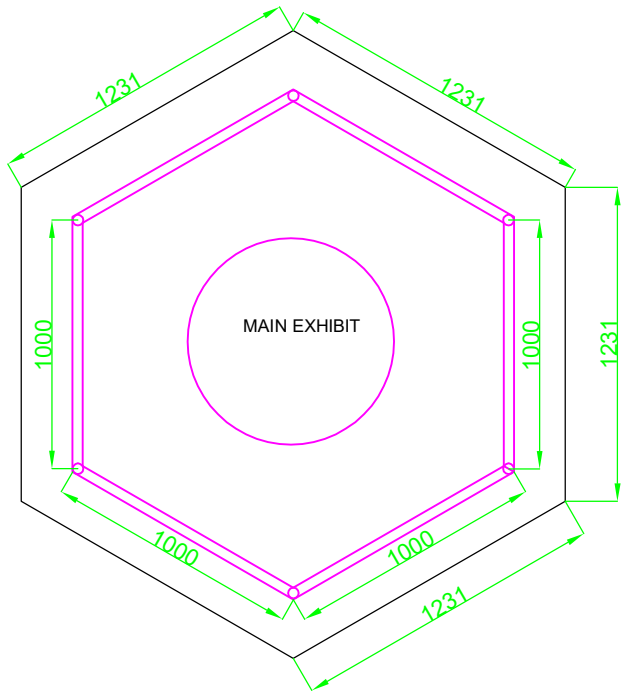
SIGNATURE

REGISTERED
ARCHITECT

DRAWING TITLE		NORTH
ARCHITECTURAL DRAWING DETAIL OF DRIVEWAY, PATHWAY, PARKING		
PURPOSE		DATE
GOOD FOR CONSTRUCTION (GFC)		21.01.2025
SCALE	DRAWING NO.	REVISION
NTS	2022/AR/NCSM-BKN/WD/A/12	R0
DRAWN BY	REVIEWED BY	APPROVED BY
S.M	S.M	K.B
SHEET SIZE		A3

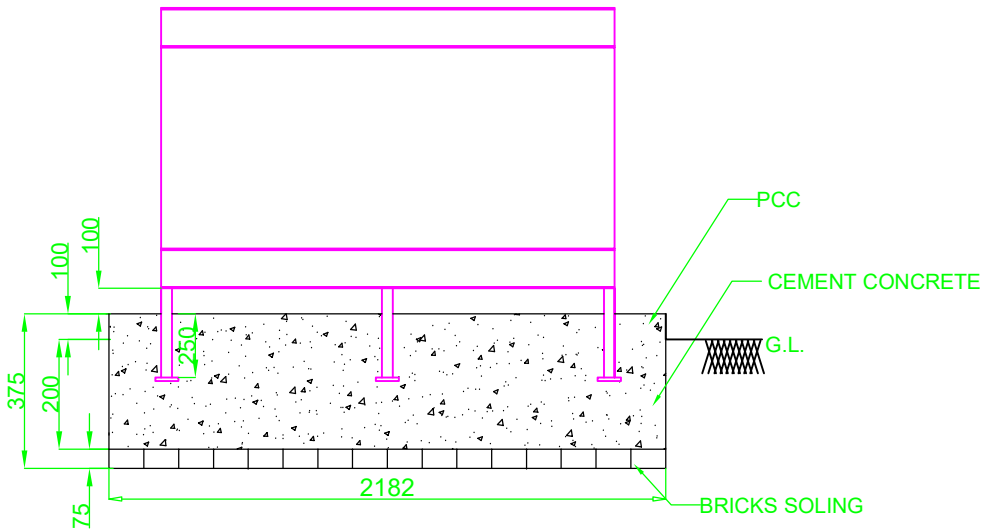
CONSULTANTS:
AAKRITI
Flat no. 11&12, 4A Ekdalia Place,
4th Floor, Kolkata-700019

THIS DRAWING HAS NOT BEEN PUBLISHED AND IS THE SOLE PROPERTY OF AAKRITI AND IS ISSUED TO THE PARTY FOR THE SPECIFIC PURPOSE OF MUNICIPAL SANCTION AND IT SHALL NOT BE REPRODUCED, COPIED, LENT OR OTHERWISE DISPOSED OFF DIRECTLY OR INDIRECTLY, NOR USED FOR ANY OTHER PURPOSE OTHER THAN FOR WHICH IT IS FURNISHED.

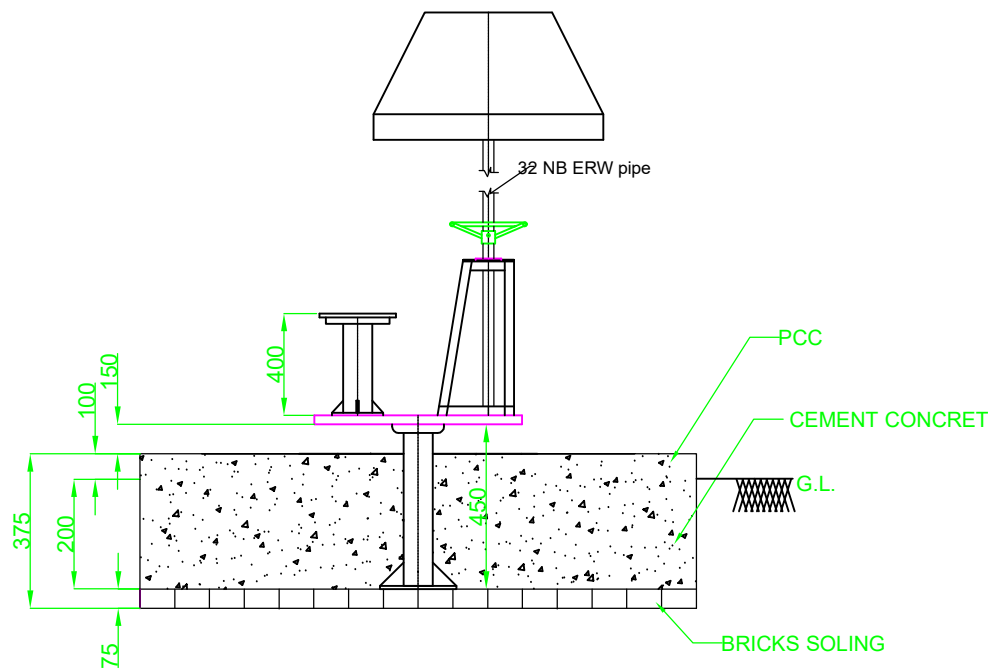


NOTE -

	AREA (m ²)	VOLUME (m ³)
B.F.S	3.9	
C.C		1.48
TILE	0.74	



OUTER FRAME OF MAIN EXHIBIT

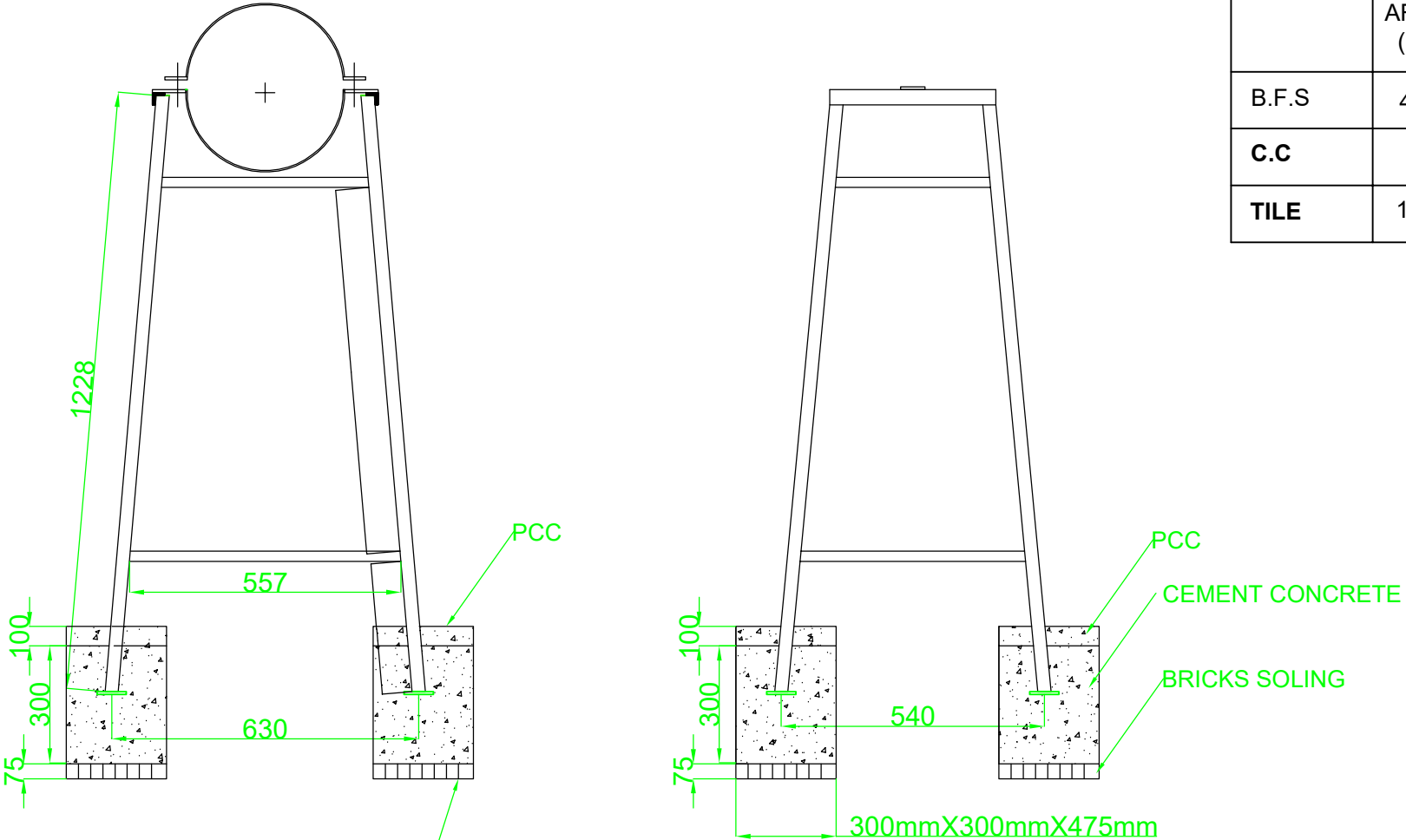


MAIN EXHIBIT

ACTION REACTION FOUNDATION (1NOS.)

NOTE -

	AREA (m ²)	VOLUME (m ³)
B.F.S	4.68	
C.C		2.24
TILE	10.92	



FRONT VIEW

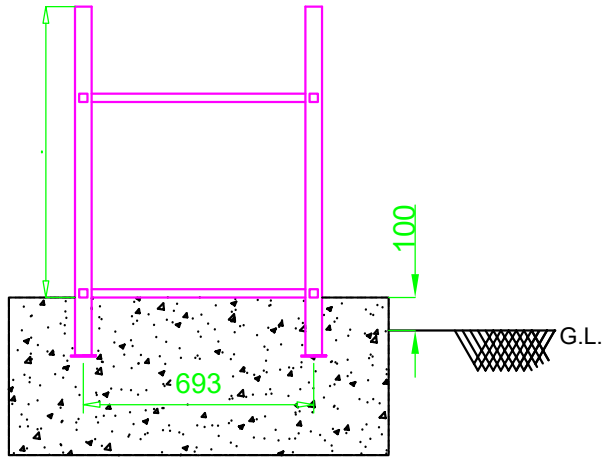
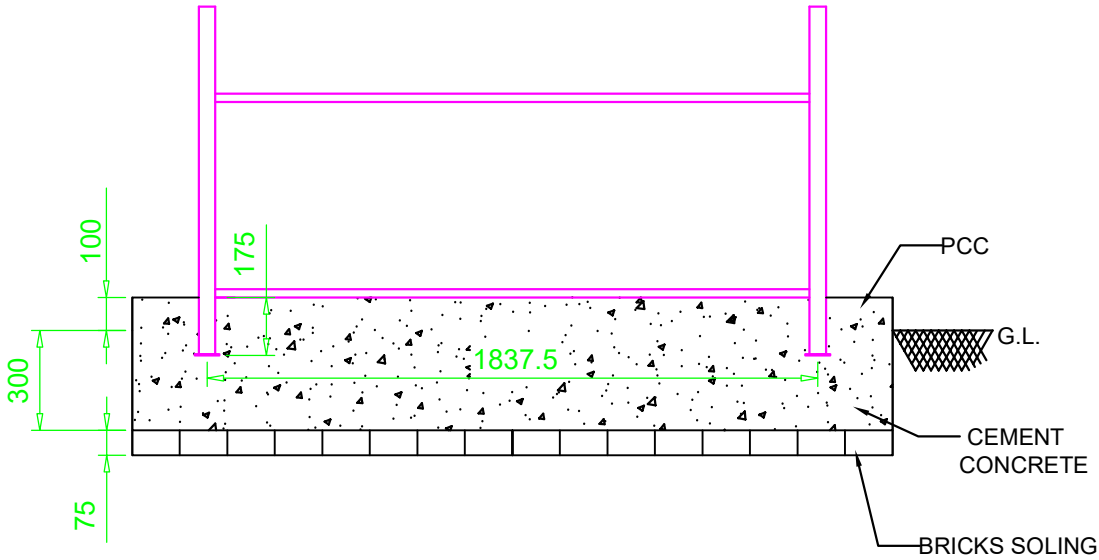
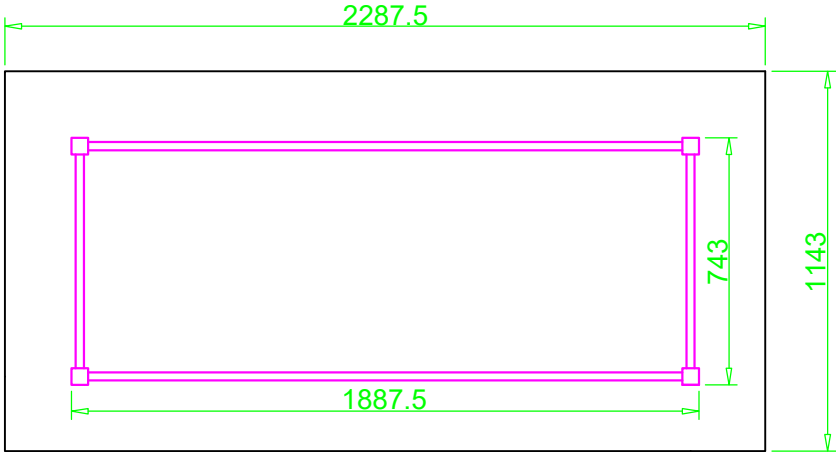
SIDE VIEW

4 NOS.(300mmX300mmX475mm)
GROUTING POCKET FOR 1 STAND X
13 NOS. OF STAND

ECHO TUBE FOUNDATION

NOTE -

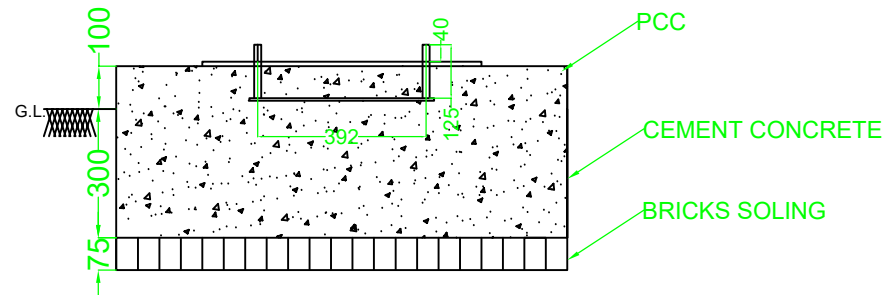
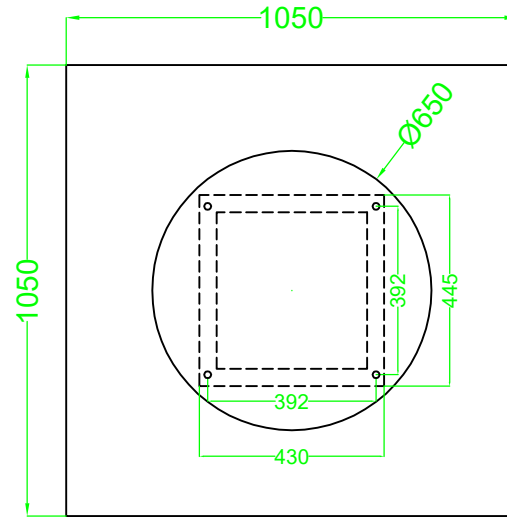
	AREA (m ²)	VOLUME (m ³)
B.F.S	3.45	
C.C		1.63
TILE	4.15	



ELLIPTICAL SPEAKING TUBE FOUNDATION (1 NOS.)

NOTE -

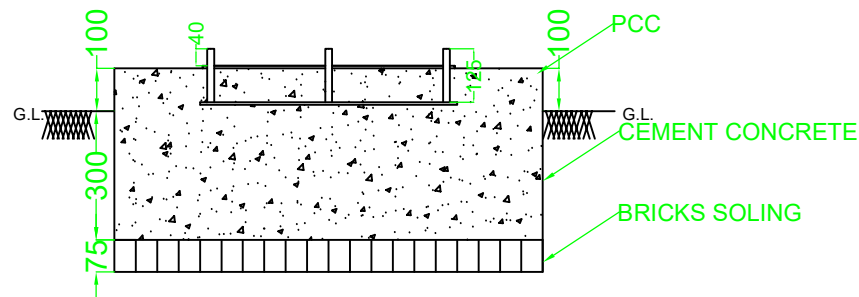
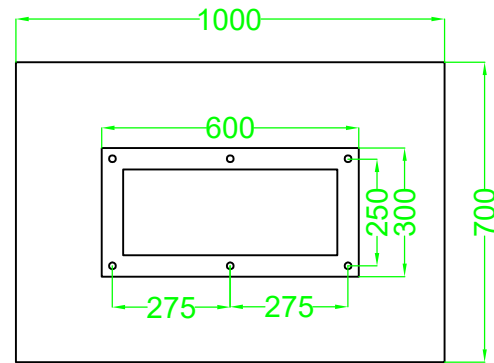
	AREA (m ²)	VOLUME (m ³)
B.F.S	1.1	
C.C		0.53
TILED	1.51	



FLORAL KALEIDOSCOPE FOUNDATION

NOTE -

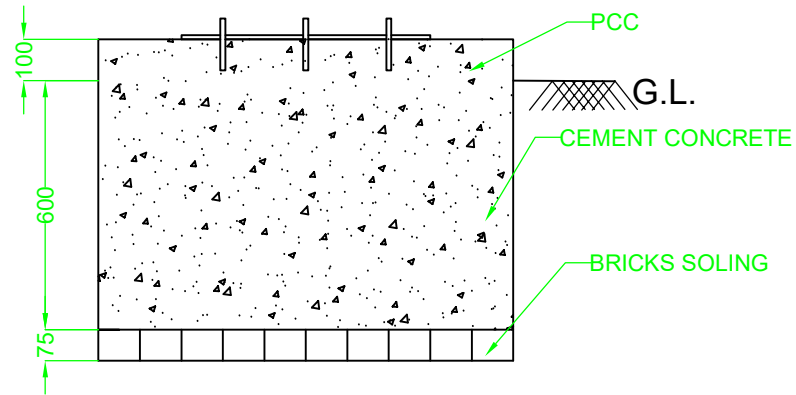
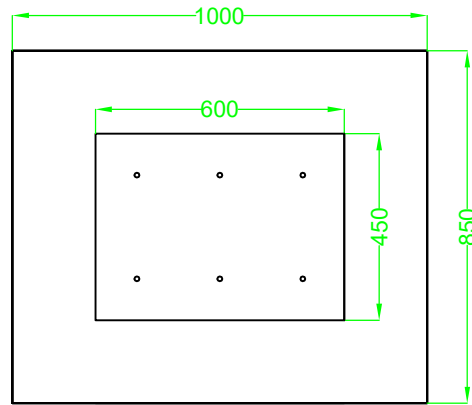
	AREA (m ²)	VOLUME (m ³)
B.F.S	0.7	
C.C		0.33
TILED	1.04	



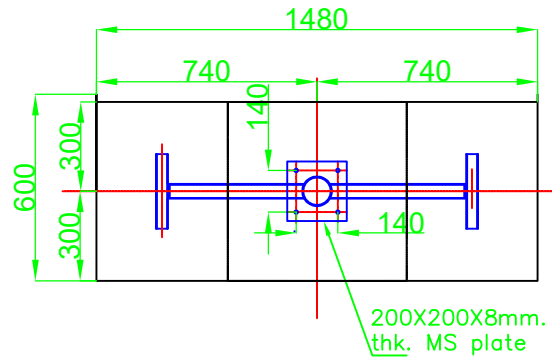
GIANT GEM PAPER CLIP FOUNDATION

NOTE -

	AREA (m ²)	VOLUME (m ³)
B.F.S	0.85	
C.C		0.66
TILE	1.22	

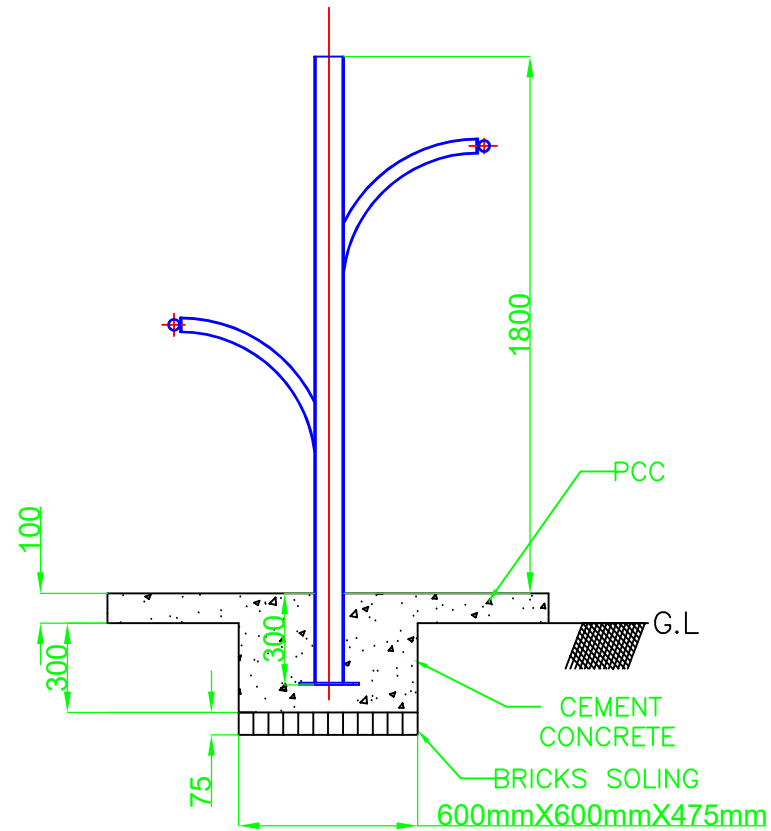


GIANT SAFETY PIN FOUNDATION



NOTE -

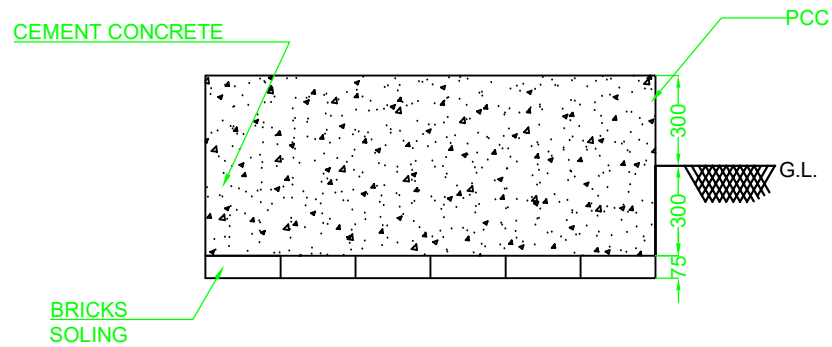
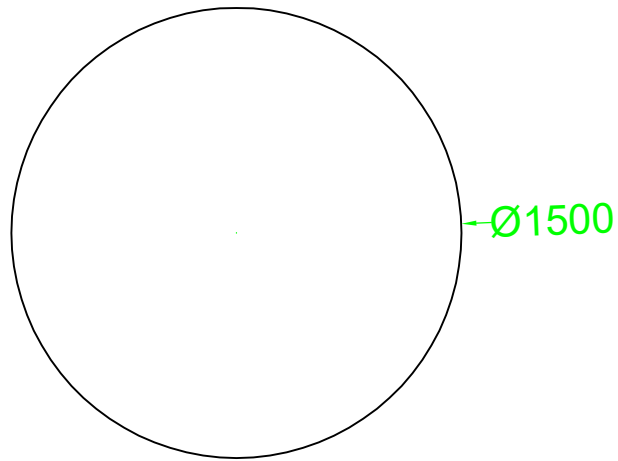
	AREA (m ²)	VOLUME (m ³)
B.F.S	0.88	
C.C		0.21
TILE	1.3	



HOLE IN PALM FOUNDATION(1
NOS.)

NOTE -

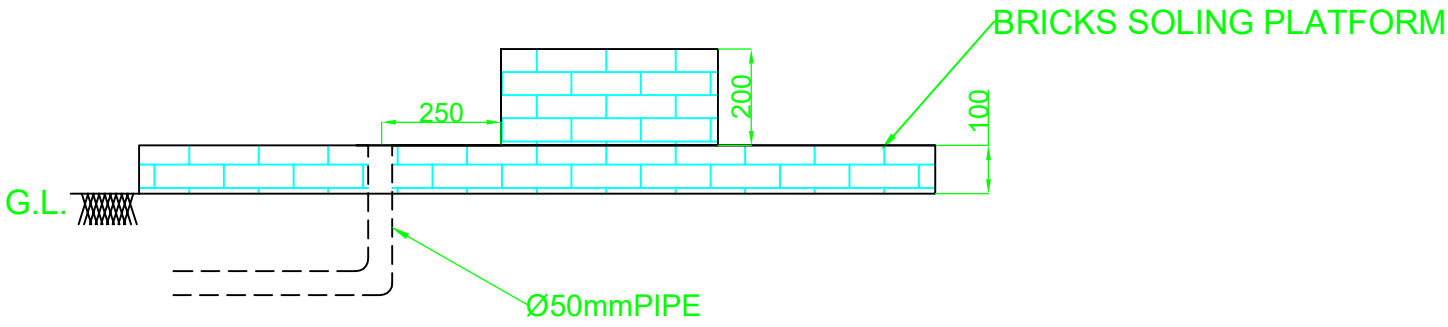
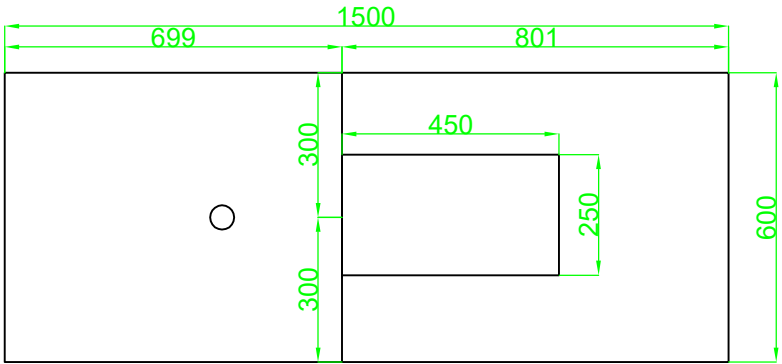
	AREA (m ²)	VOLUME (m ³)
B.F.S	1.76	
C.C		1.2
TILE	1.4	



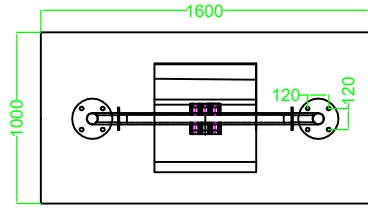
IMPOSSIBLE TRIANGLE FOUNDATION (1 NOS.)

NOTE -

	AREA (m ²)	VOLUME (m ³)
B.F.S	1.18	
BRICKS WORK		0.11
TILE	0.70	

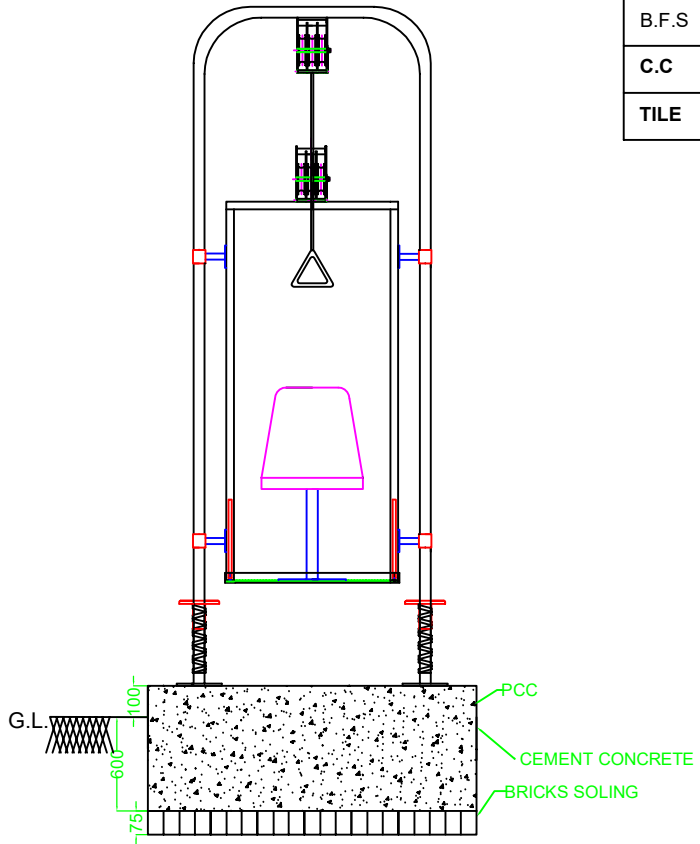


ISIS SPEAK FOUNDATION (1 NOS.)



NOTE -

	AREA (m ²)	VOLUME (m ³)
B.F.S	1.6	
C.C		1.24
TILE	2.12	



LIFT YOUR SELF FOUNDATION

NOTE -

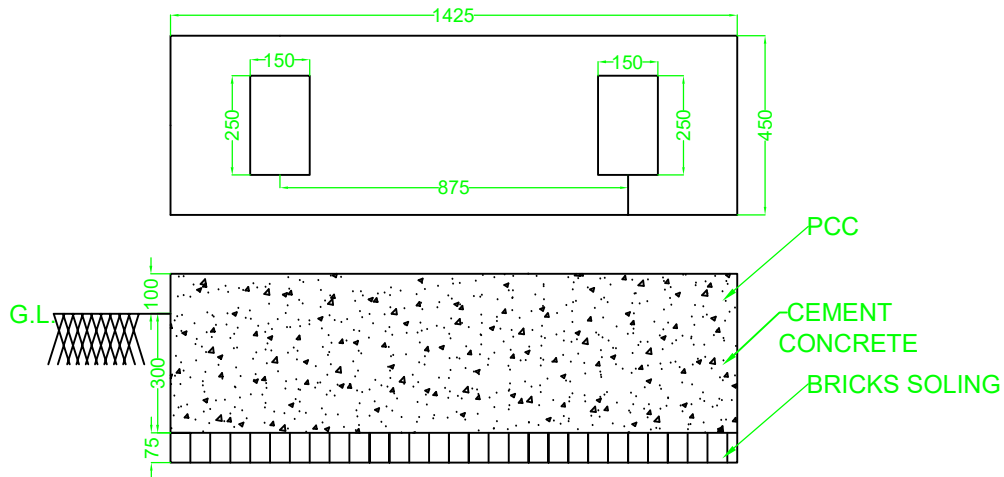
(i)-

	AREA (m ²)	VOLUME (m ³)
B.F.S	0.64	
C.C		0.31
TILED	1.02	

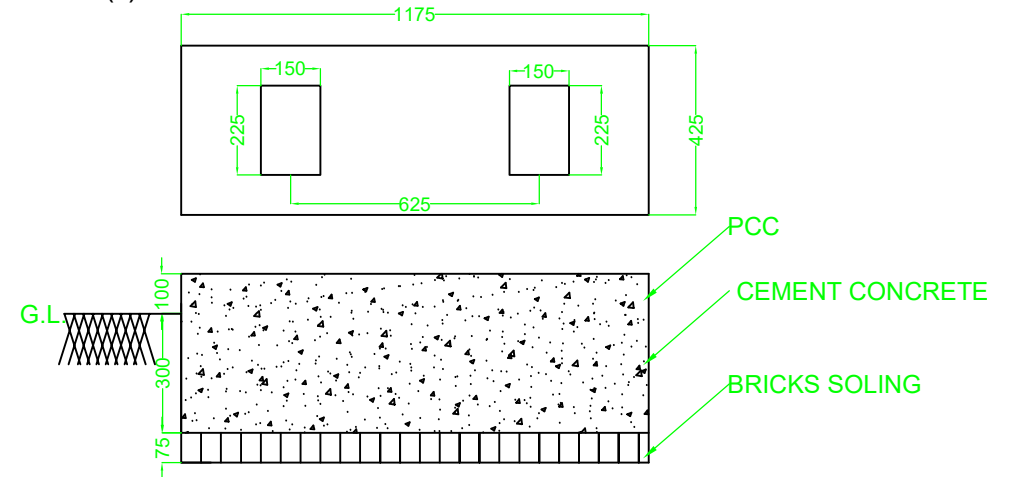
(ii)-

	AREA (m ²)	VOLUME (m ³)
B.F.S	0.49	
C.C		0.24
TILED	0.80	

(i)-



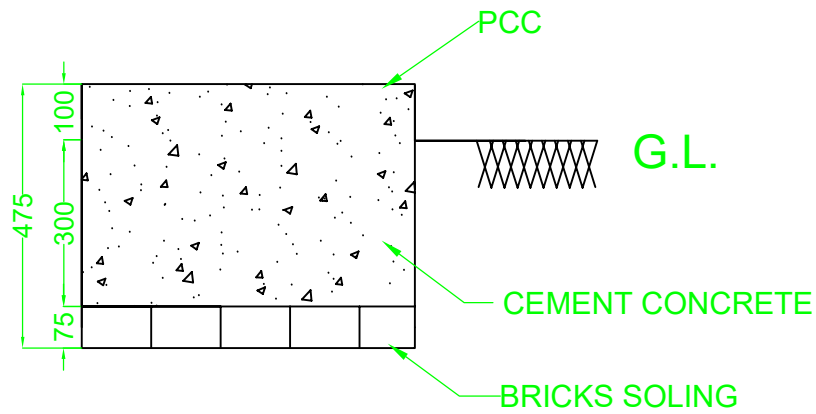
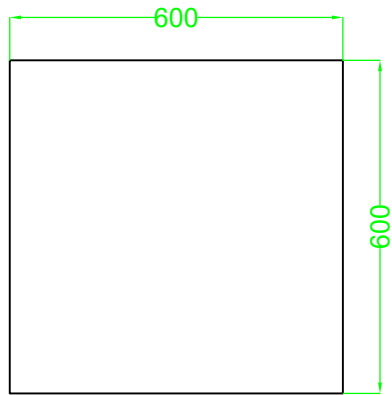
(ii)-



MUSICAL TUBE FOUNDATION

NOTE -

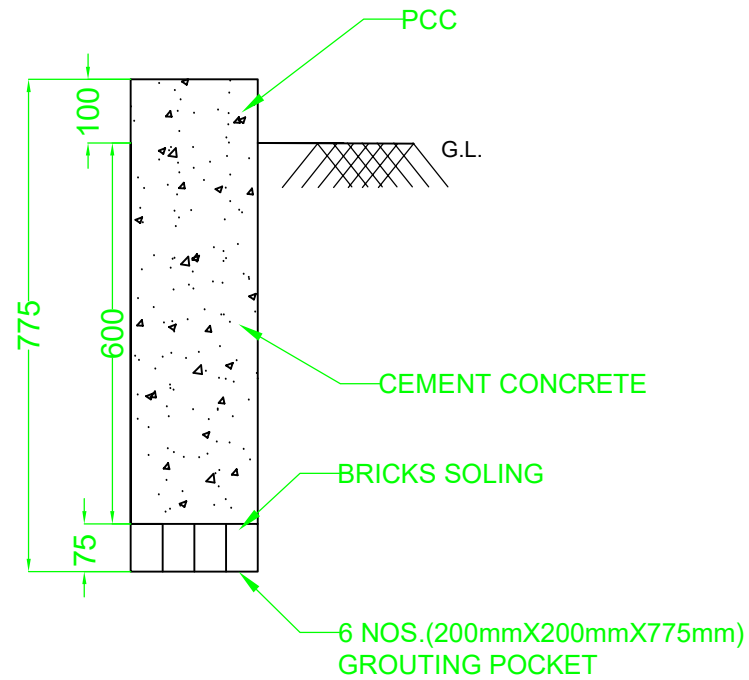
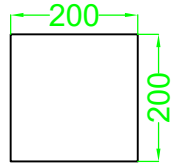
	AREA (m ²)	VOLUME (m ³)
B.F.S	0.36	
C.C		0.171
TILE	0.60	



PIN HOLE CAMERA FOUNDATION (1 NOS.)

NOTE -

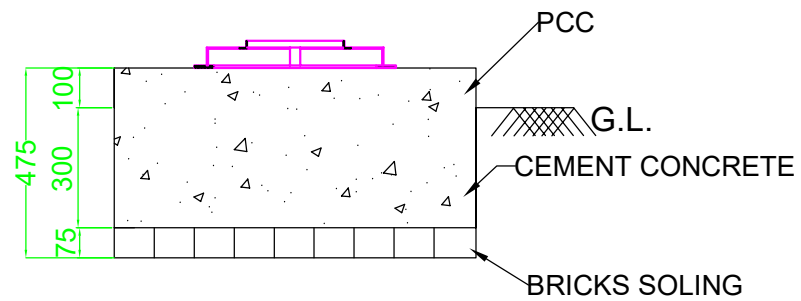
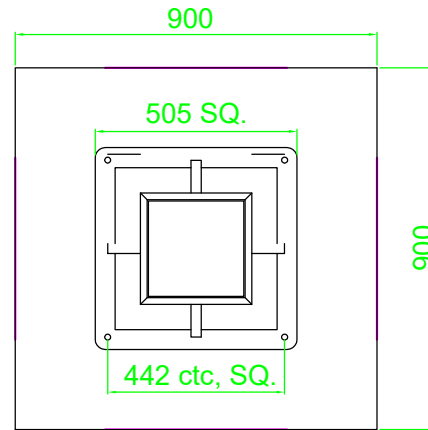
	AREA (m ²)	VOLUME (m ³)
B.F.S	0.24	
C.C		0.18
TILED	0.72	



PROJECTIVE GEOMETRY FOUNDATION

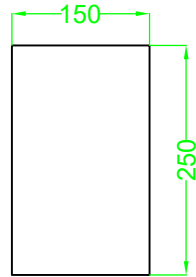
NOTE -

	AREA (m ²)	VOLUME (m ³)
B.F.S	14.7	
C.C		6.84
TILED	21.6	

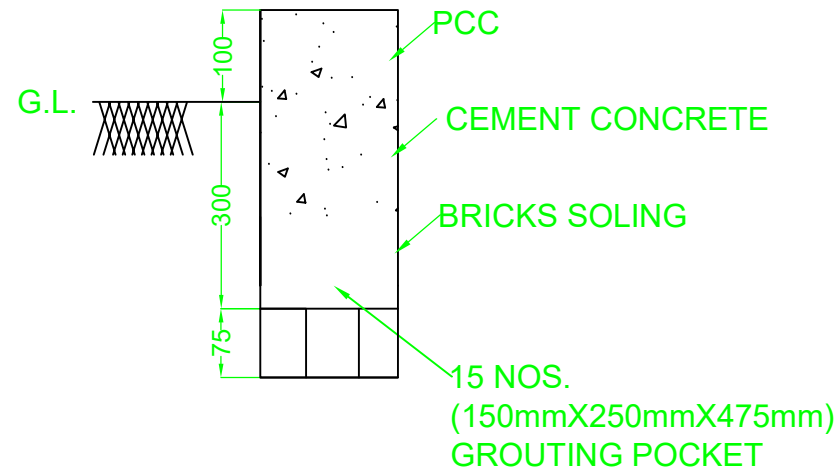


SCIENTIST BUST FOUNDATION 18 NOS.

NOTE -



	AREA (m ²)	VOLUME (m ³)
B.F.S	0.6	
C.C		0.26
TILE	1.8	

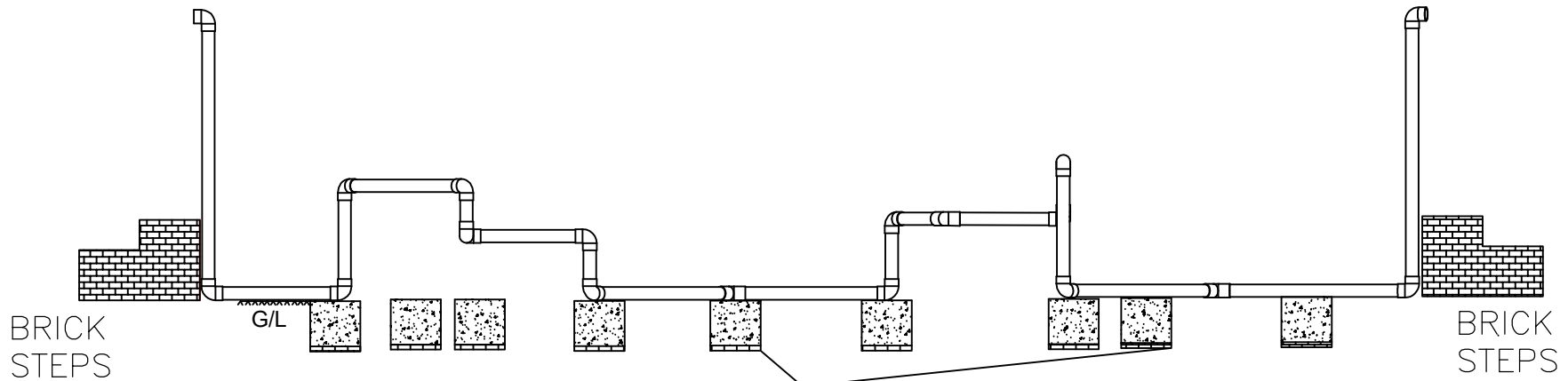
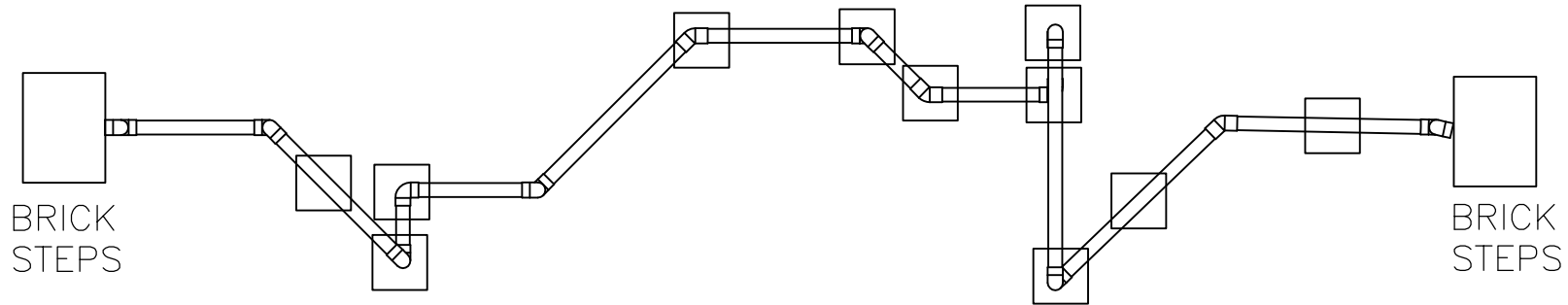


SPEAKING TUBE FOUNDATION

NOTE -

SPEAKING TUBE

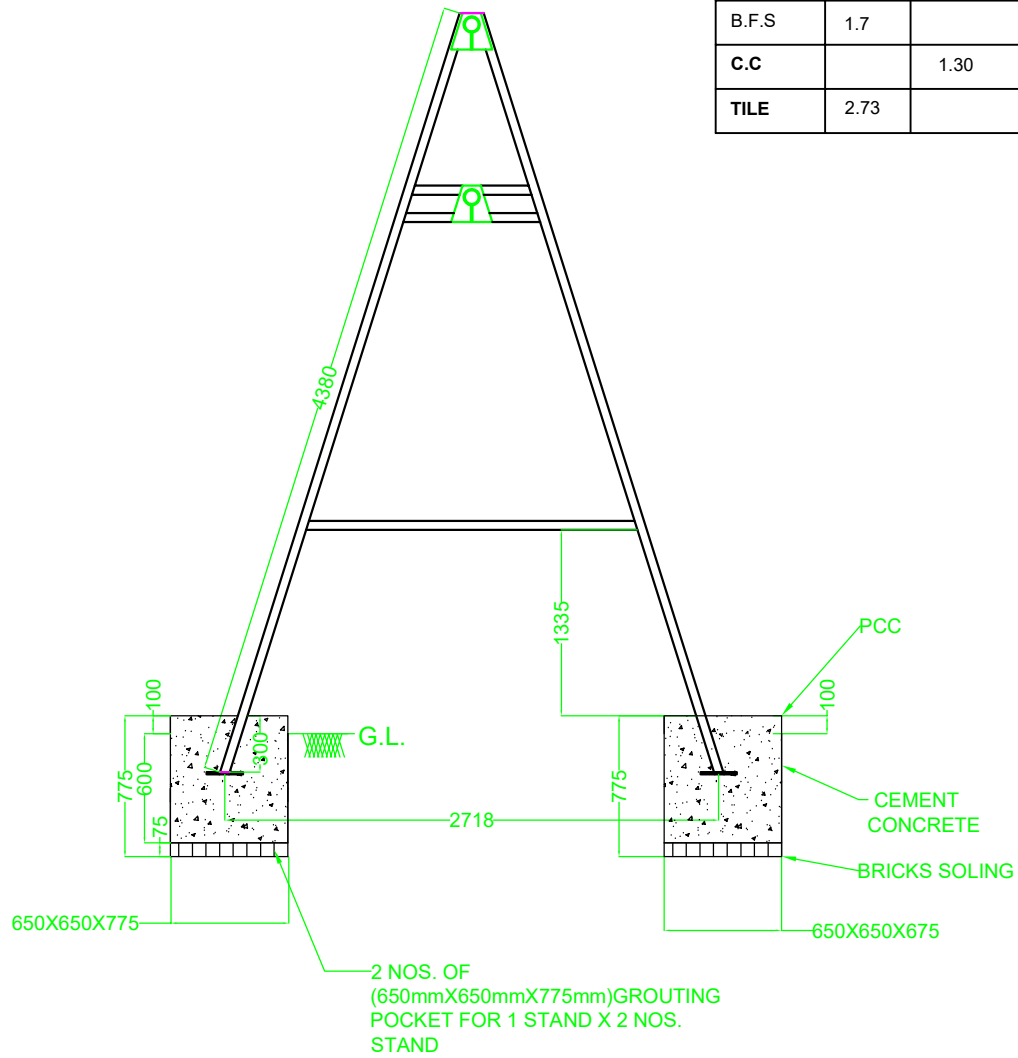
	AREA (m ²)	VOLUME (m ³)
B.F.S		
C.C		
TILED		



CEMENT CONCRETE
DIMENSION -
300X300X300 MM

NOTE -

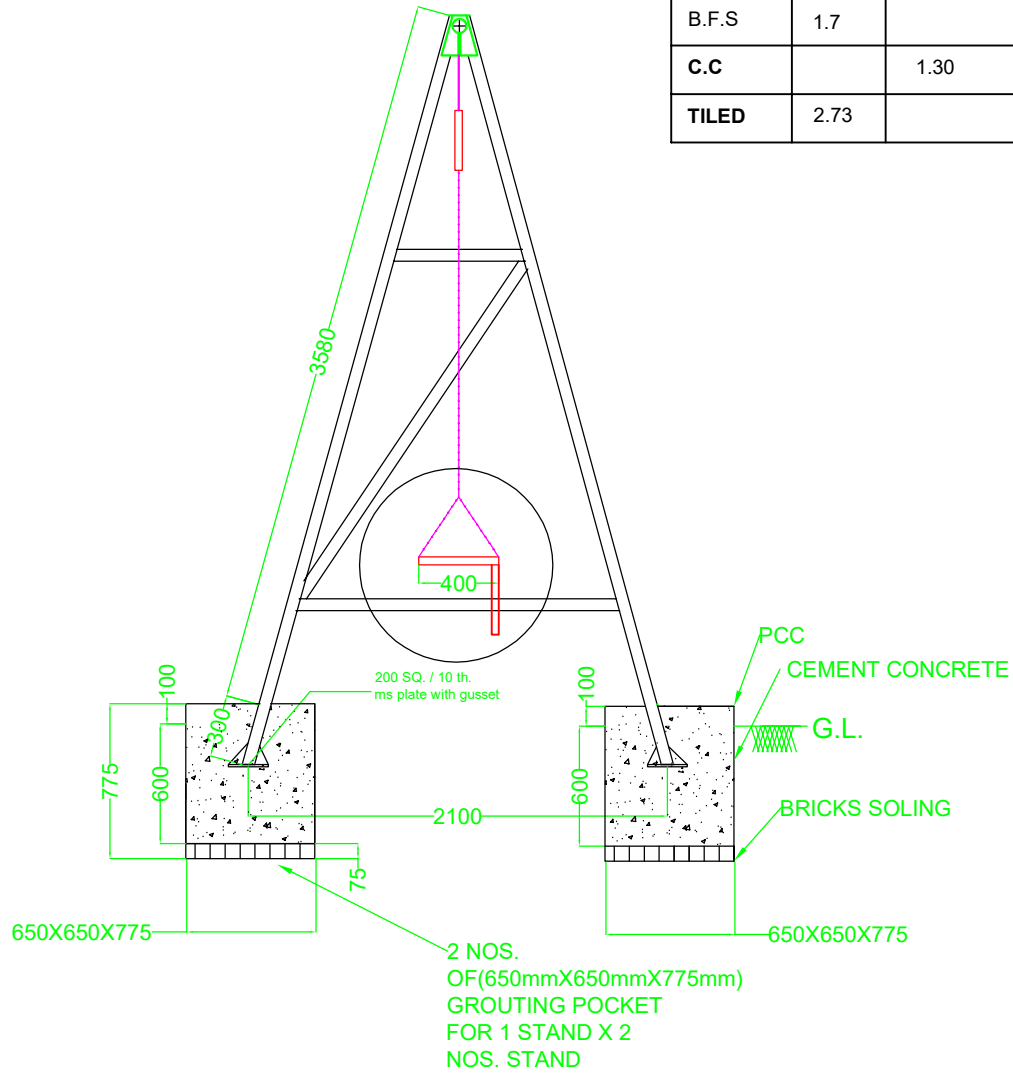
	AREA (m ²)	VOLUME (m ³)
B.F.S	1.7	
C.C		1.30
TILE	2.73	



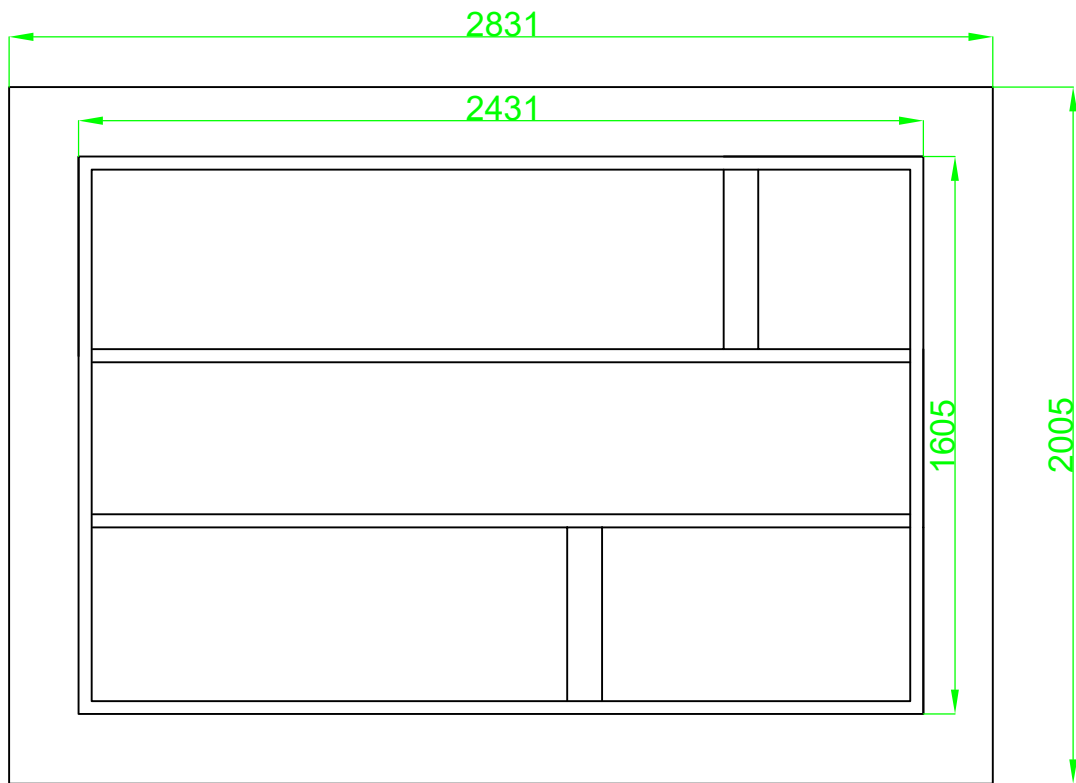
SWING IS A PENDULUM FOUNDATION

NOTE -

	AREA (m ²)	VOLUME (m ³)
B.F.S	1.7	
C.C		1.30
TILED	2.73	

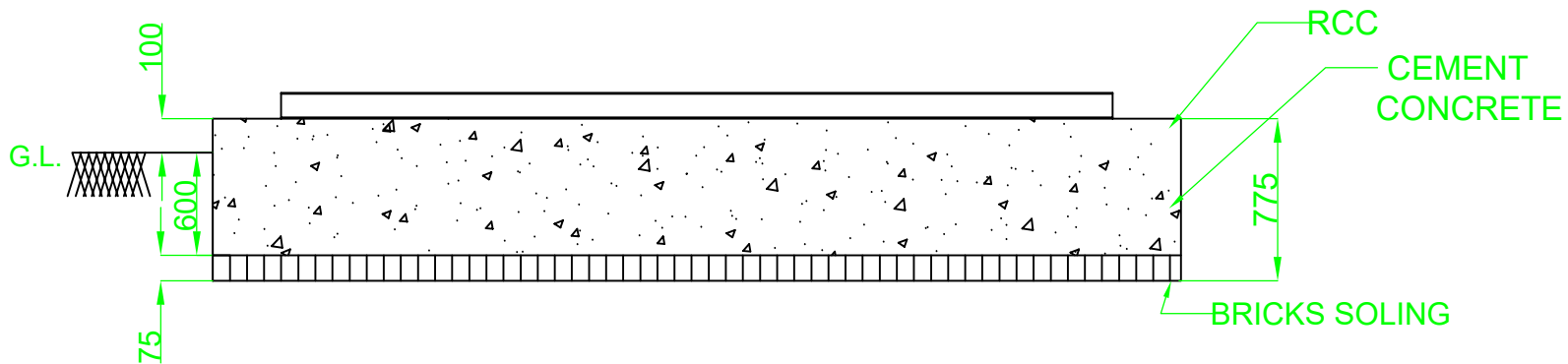


SYMPATHETIC SWING FOUNDATION



NOTE -

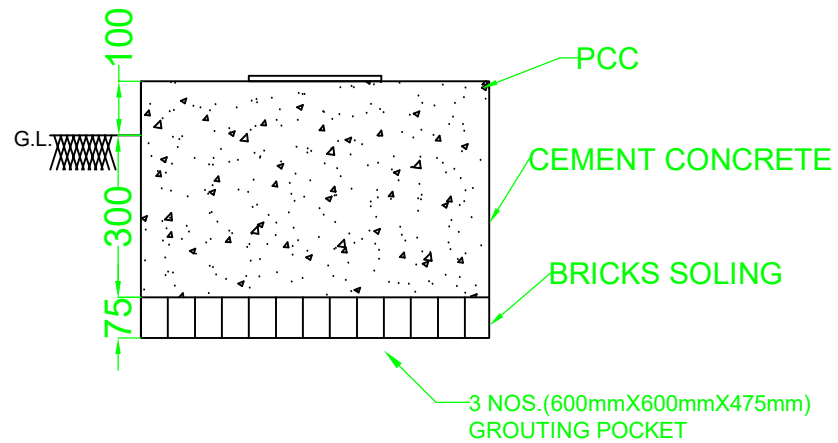
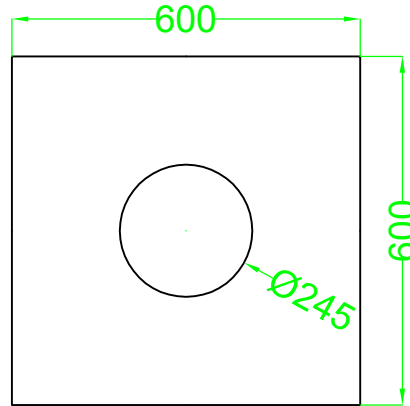
	AREA (m ²)	VOLUME (m ³)
B.F.S	5.67	
C.C		4.4
TILED	6.64	



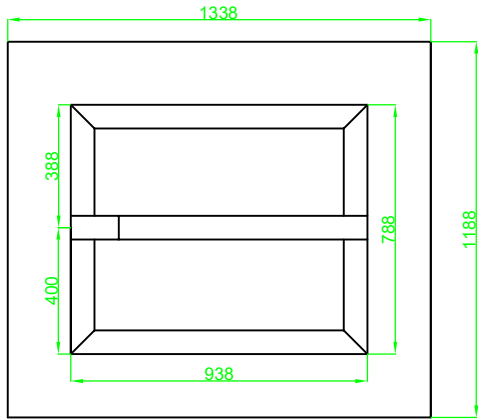
T-REX FOUNDATION

NOTE -

	AREA (m ²)	VOLUME (m ³)
B.F.S	0.36	
C.C		0.171
TILED	0.60	

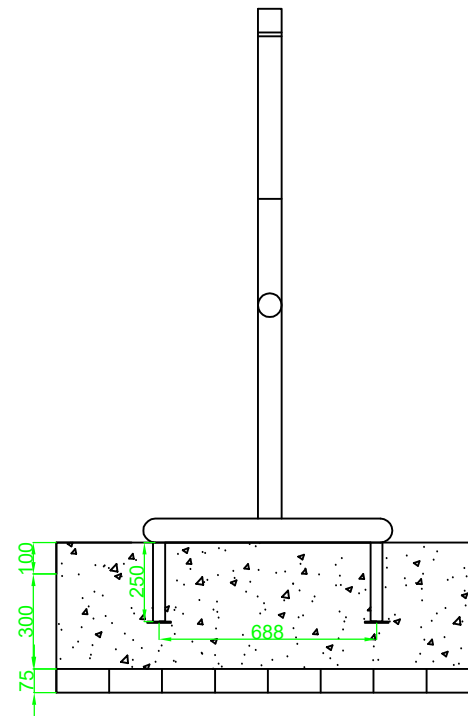
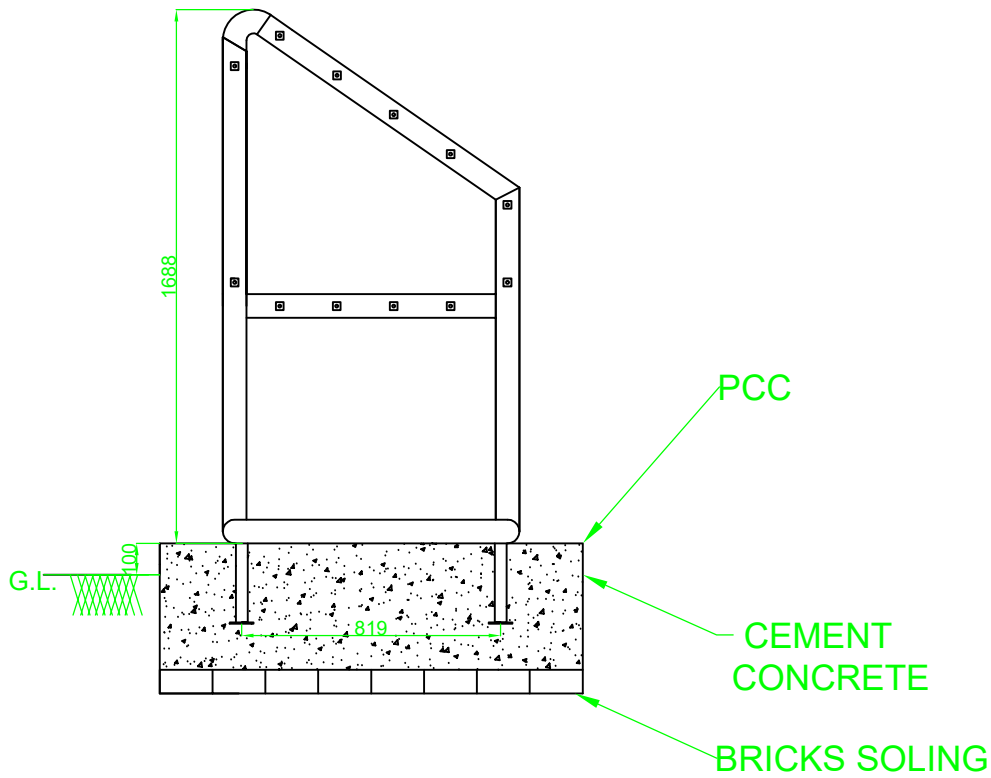


THE SUN/THE MOON/THE EARTH FOUNDATION



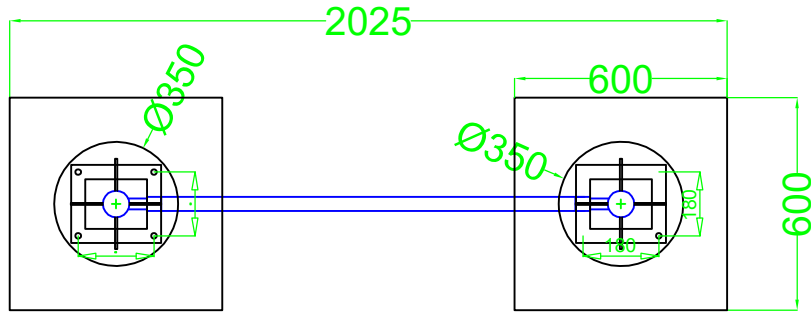
NOTE -

	AREA (m ²)	VOLUME (m ³)
B.F.S	1.6	
C.C		0.75
TILE	2.1	

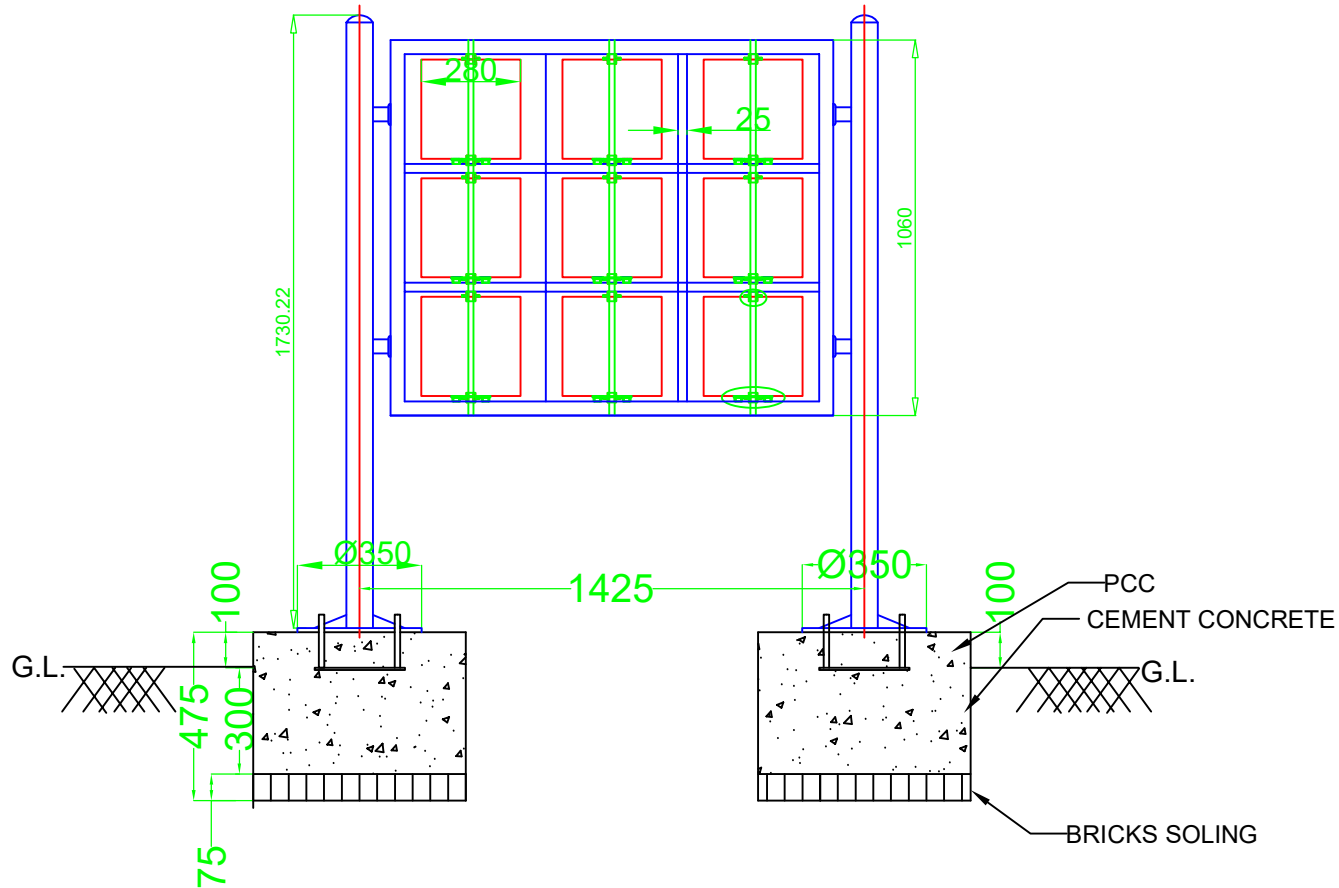


THEMBOS FOUNDATION

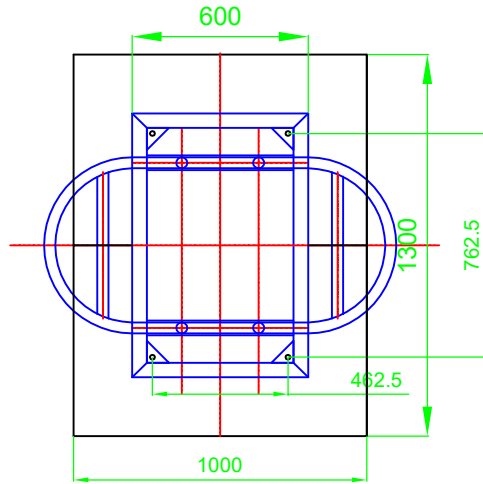
NOTE -



LEGENDA	AREA (m ²)	VOLUME (m ³)
B.F.S	0.72	
C.C		0.34
TILED	1.2	

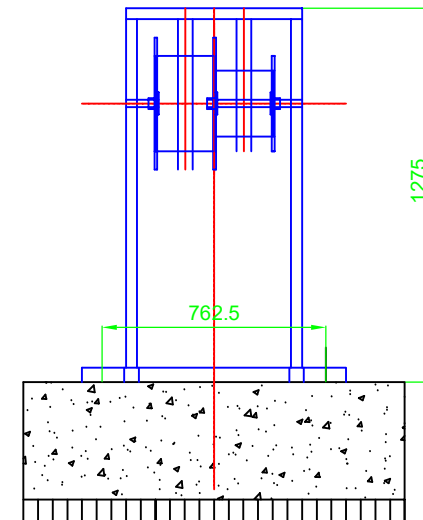
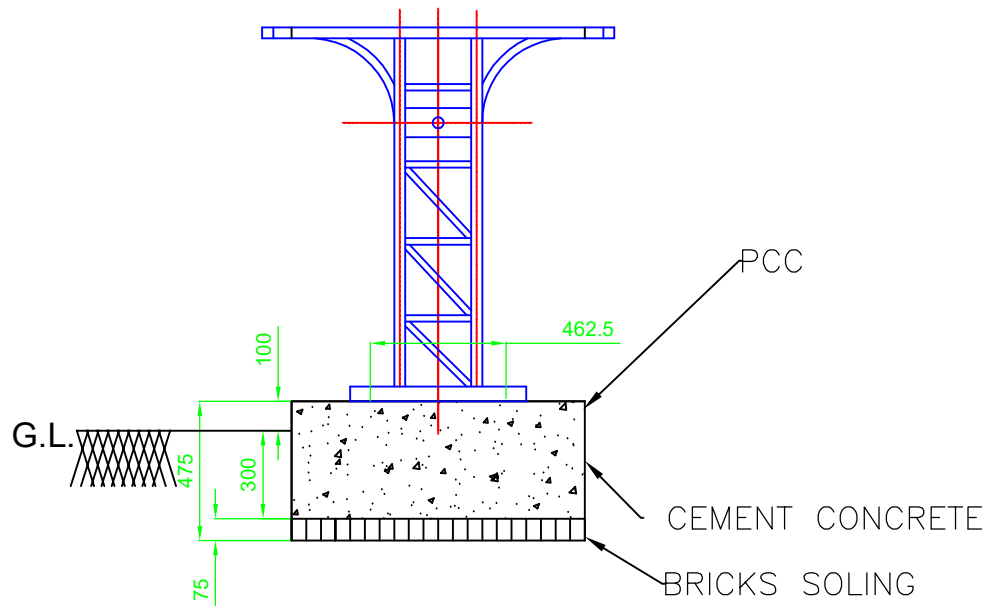


TIC TAC TOE FOUNDATION (1 NOS.)

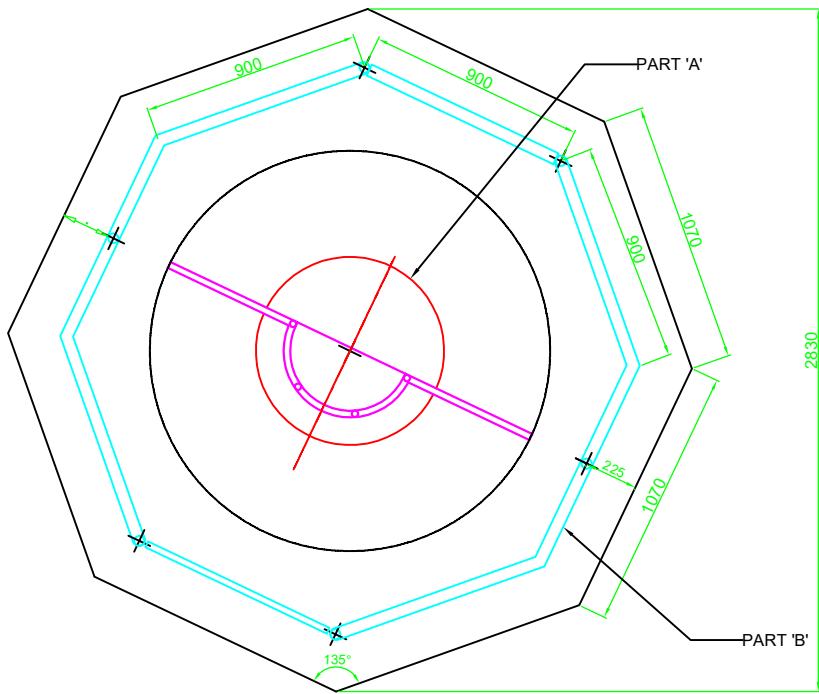


NOTE -

	AREA (m ²)	VOLUME (m ³)
B.F.S	1.30	
C.C		0.62
TILED	1.92	

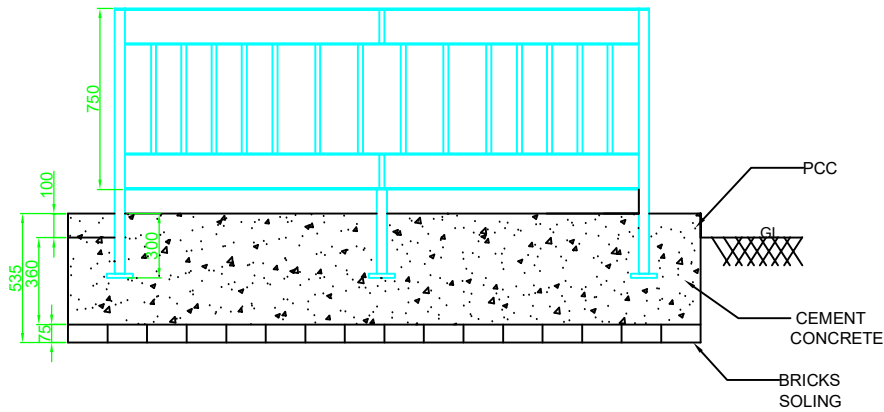


TUG OF WAR FOUNDATION (1 NOS.)

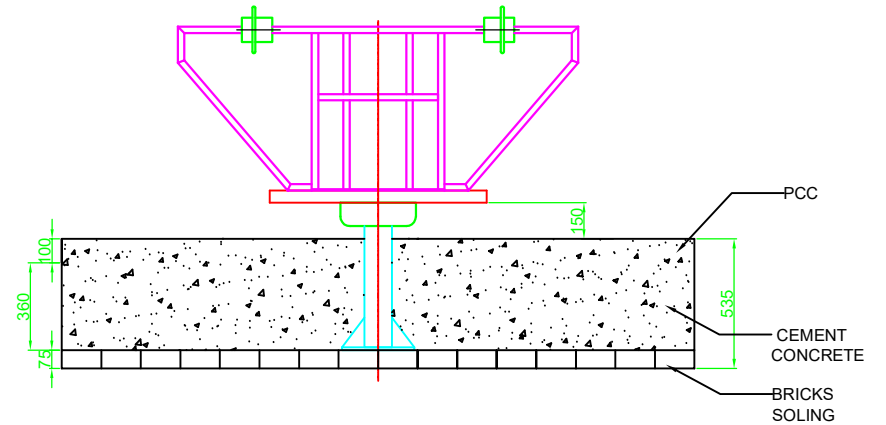


NOTE -

	AREA (m ²)	VOLUME (m ³)
B.F.S	5.5	
C.C		2.9
TILE	0.85	

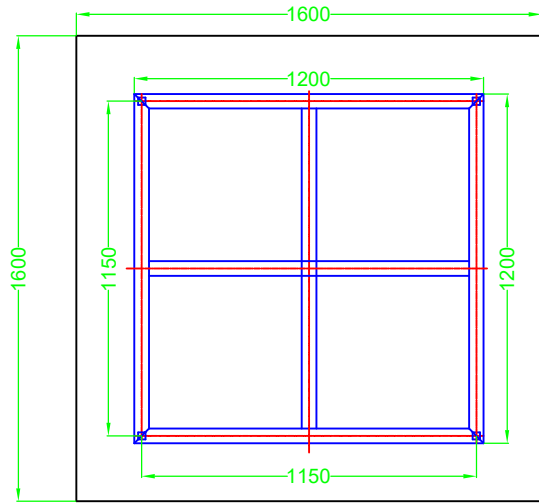


PART 'B' FOUNDATION



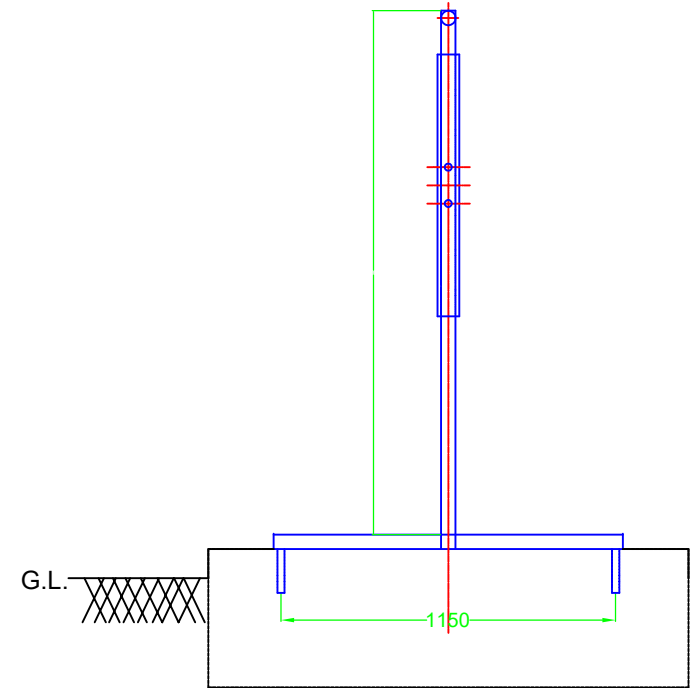
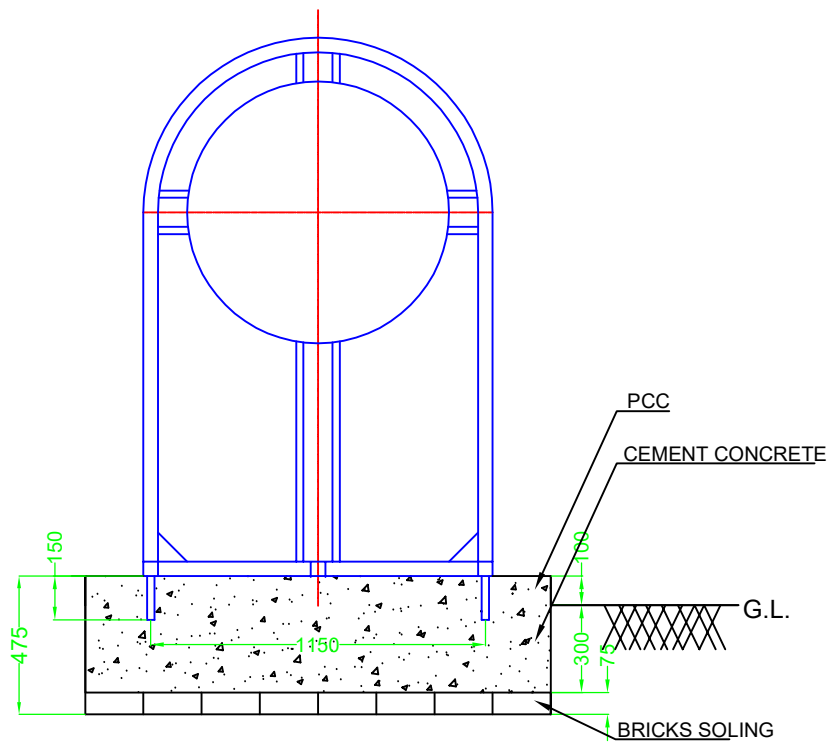
PART 'A' FOUNDATION

TURN FASTER FOUNDATION (1NOS.)

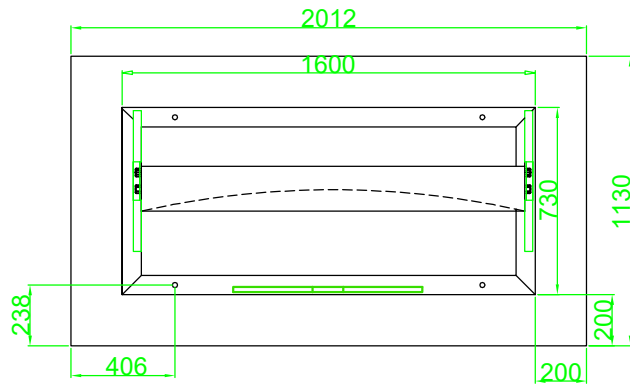


NOTE -

	AREA (m ²)	VOLUME (m ³)
B.F.S	2.56	
C.C		1.22
TILE	3.20	

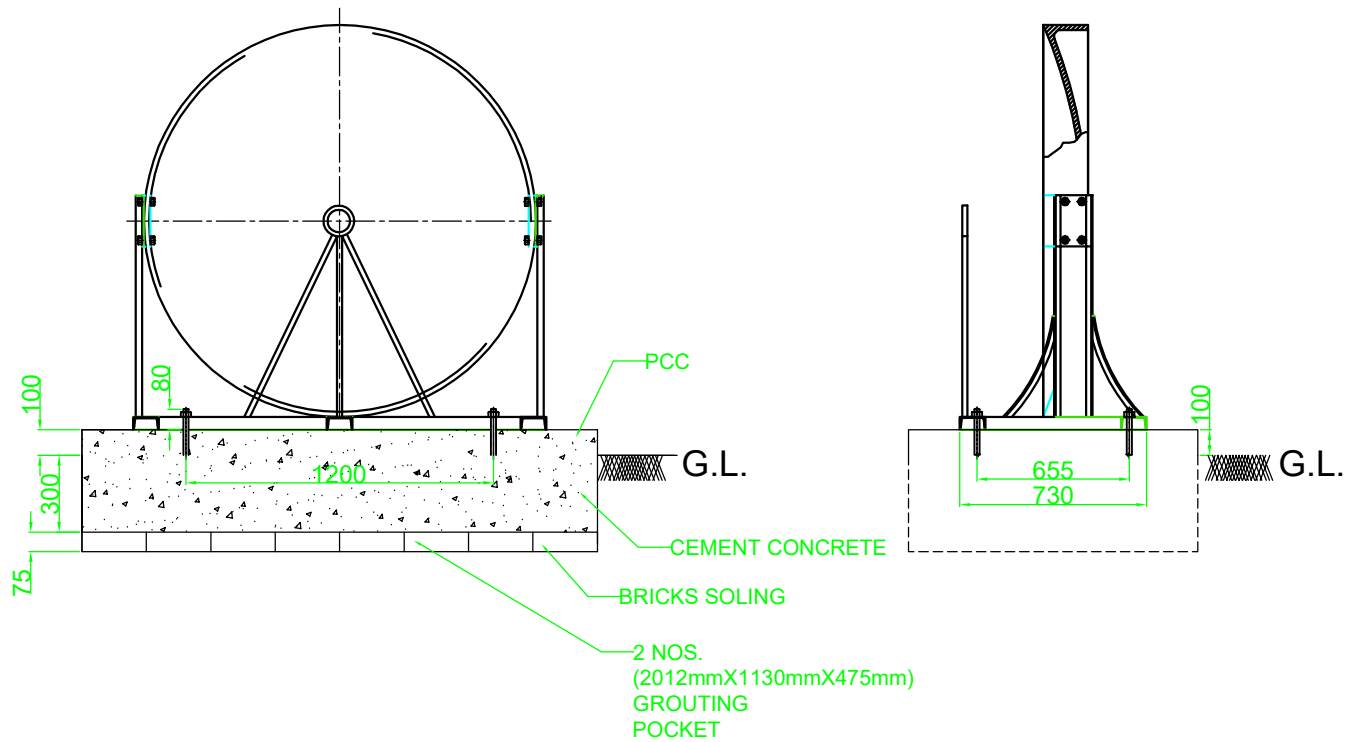


VALUE OF Pi FOUNDATION (1 NOS.)



NOTE -

	AREA (m ²)	VOLUME (m ³)
B.F.S	4.5	
C.C		2.2
TILE	5.7	



WHISPERING GARDEN FOUNDATION (2 NOS)